

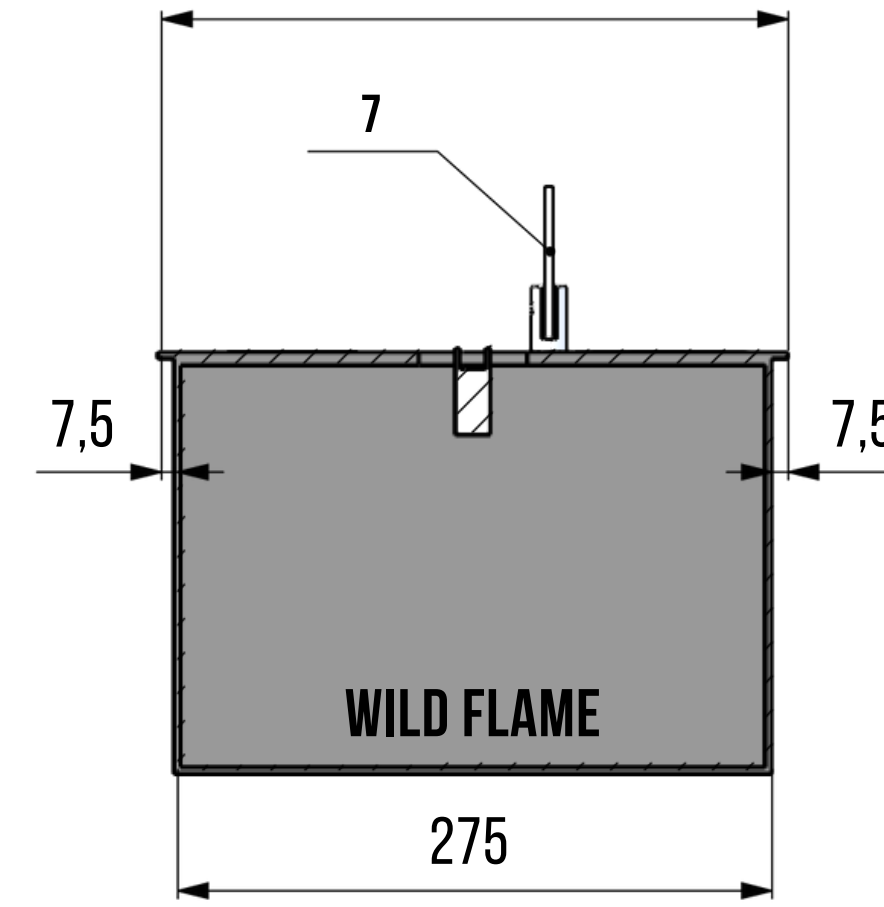
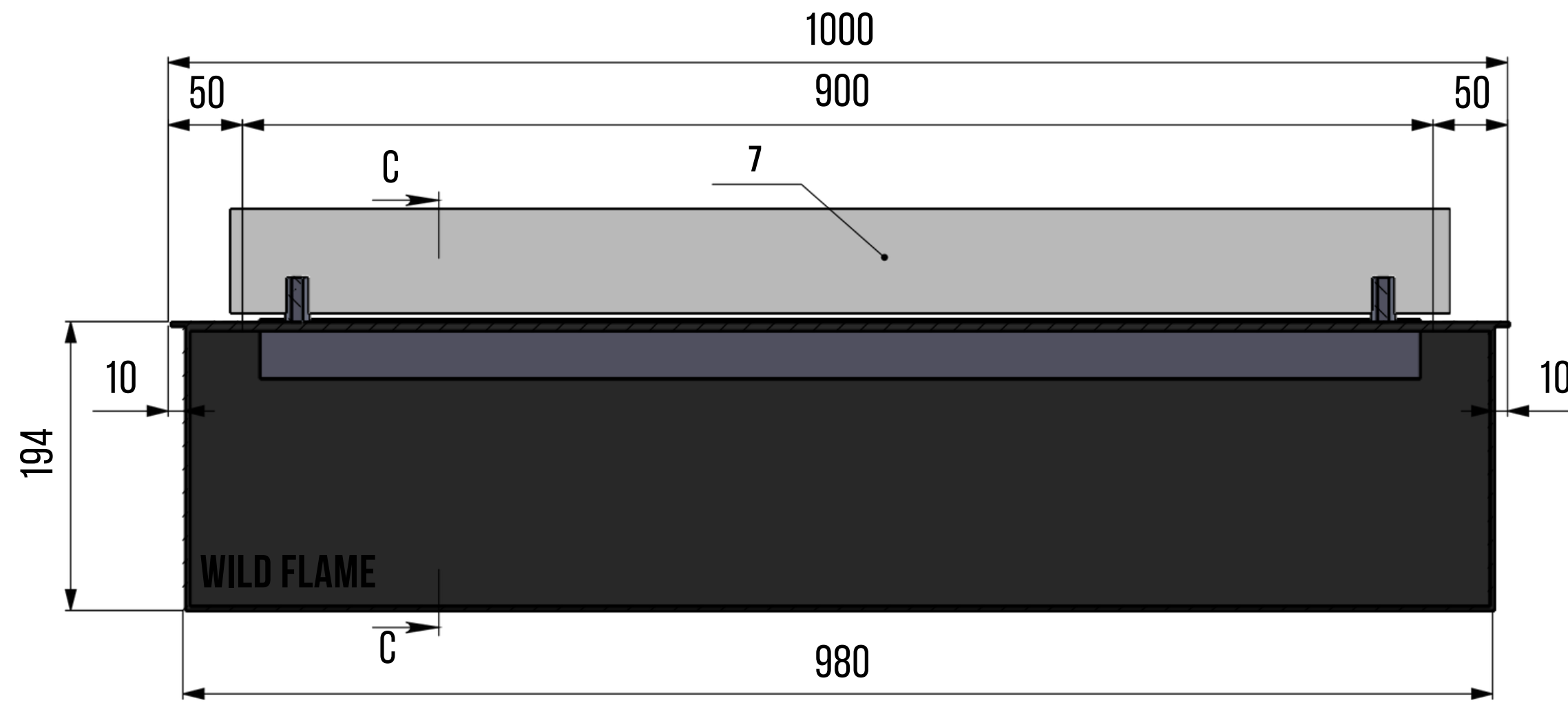
WILD FLAME

DUTCH MANUFACTURER

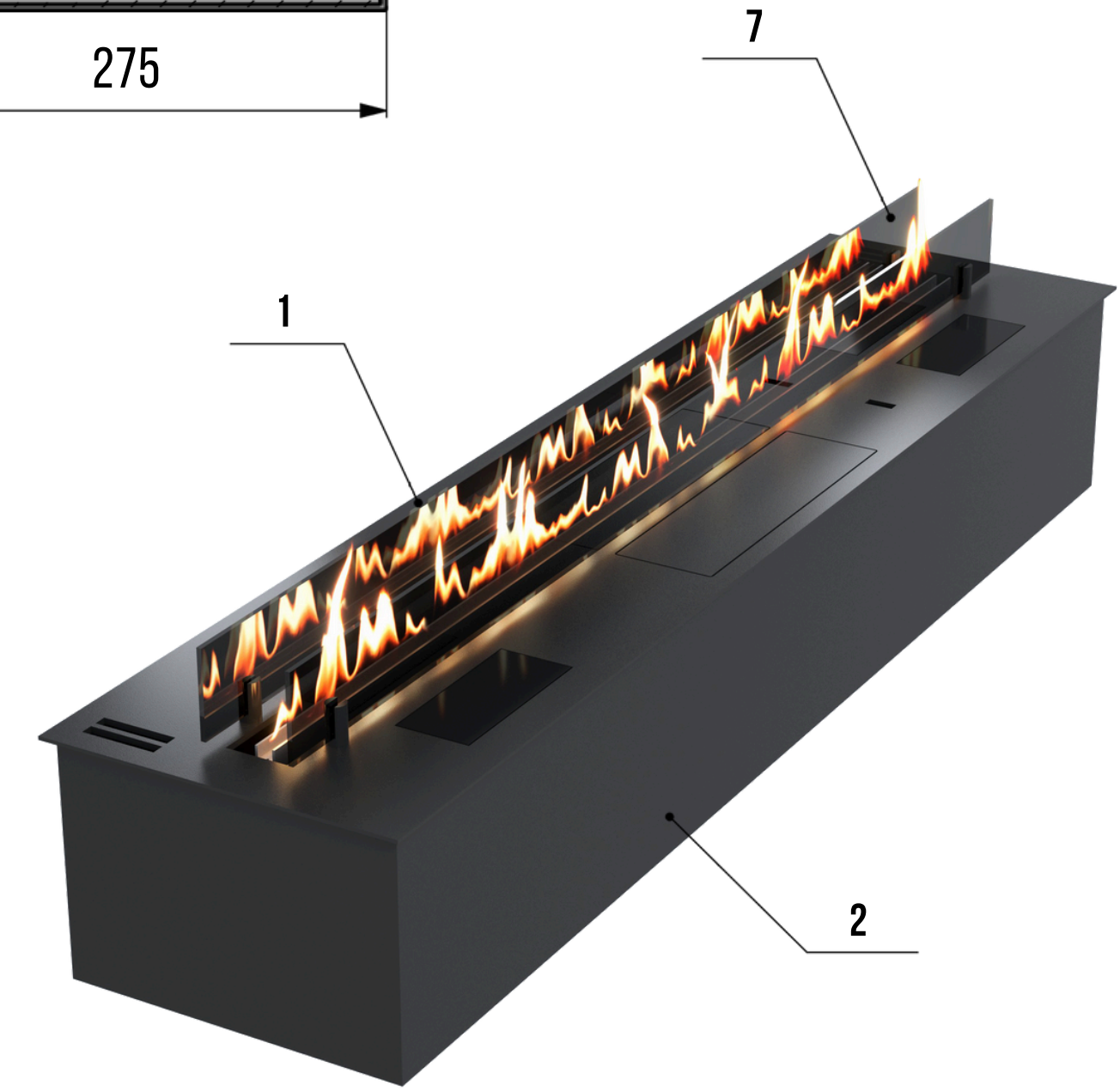
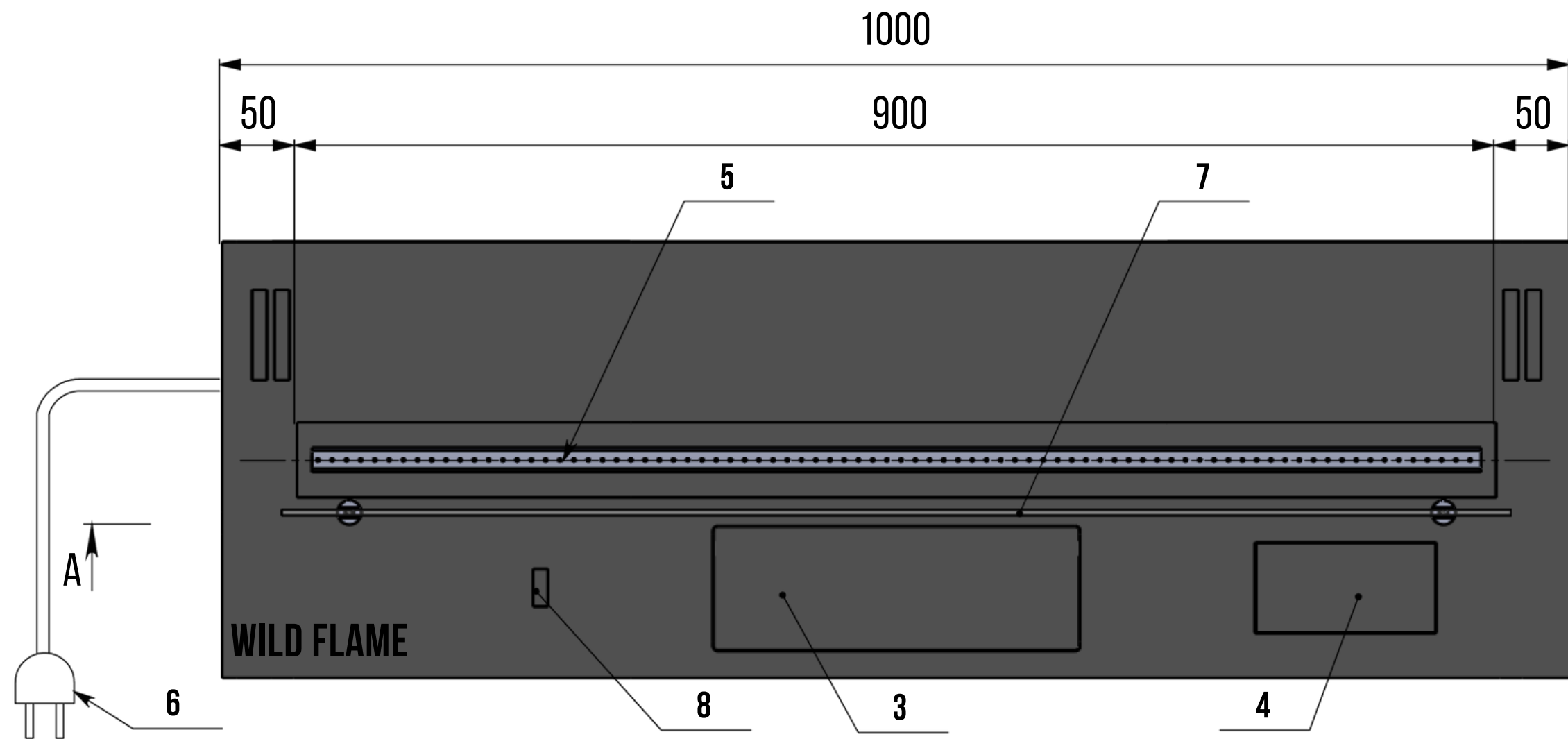
SCHEME OF AUTOMATIC BIOFIREPLACE SMART FIRE A7 1000 MM

FRONT VIEW

SIDE VIEW



TOP VIEW



NO:	NAMES
1	FRONT PANEL OF AUTOMATIC BIOFIREPLACE
2	DOUBLE - WALL HULL
3	CONTROL PANEL COVER AND REFUELING
4	WIRELESS CHARGING SURFACE
5	FIRE LINE
6	POWER CABLE (220V)
7	TEMPERED SAFETY GLASS
8	SENSOR FOR OPENING THE COVER OF THE CONTROL PANEL AND REFUELING

COLOUR: ACCORDING TO RAL SCALE _____
 WEIGHT: 32 KG.

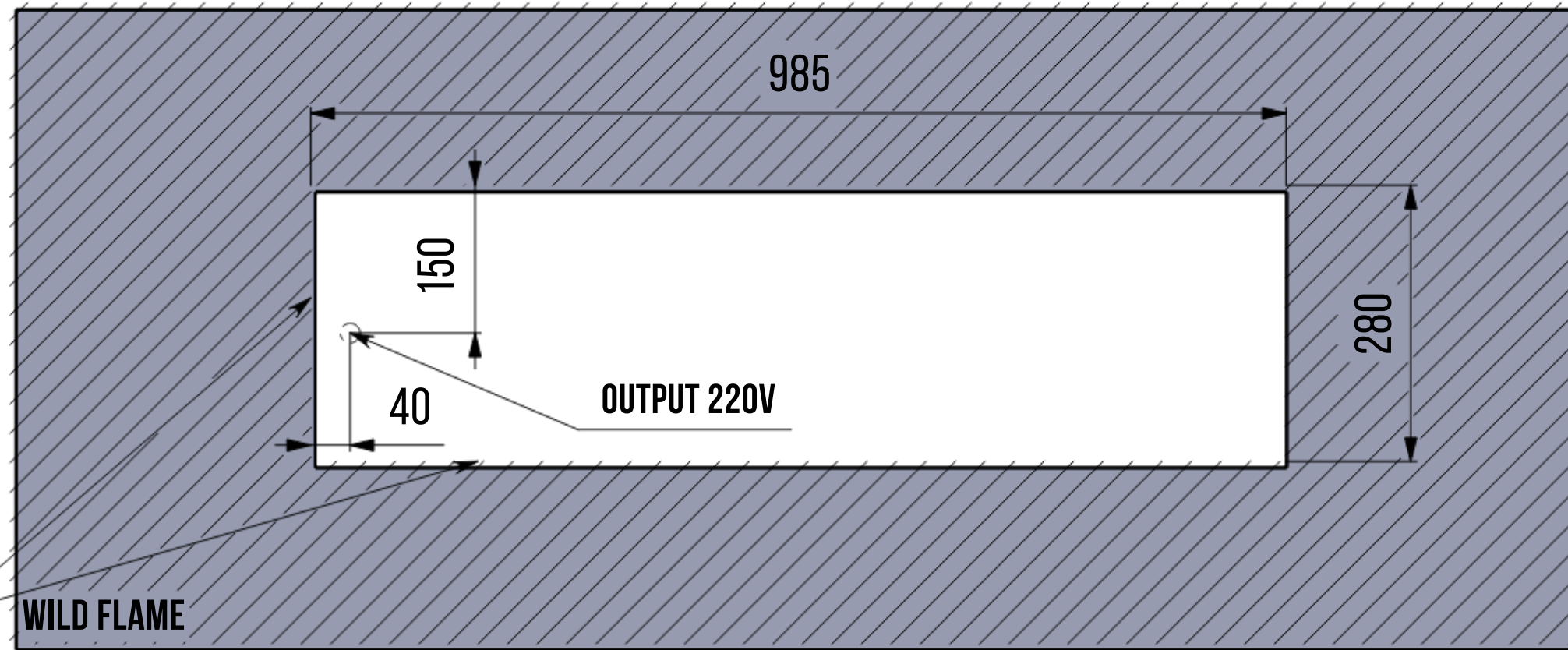
SCHEME OF SMART FIRE A7
1000 X 290 X 194 MM
WWW.WILDFLAME.NL

WILD FLAME

DUTCH MANUFACTURER

SCHEME OF NICHE FOR AN AUTOMATIC BIOFIREPLACE SMART FIRE A7 1000 MM (OVERLAP)

FRONT VIEW

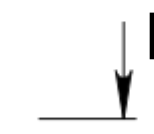


NICHE DIMENSIONS FOR EMBEDDING THE FUEL BLOCK:

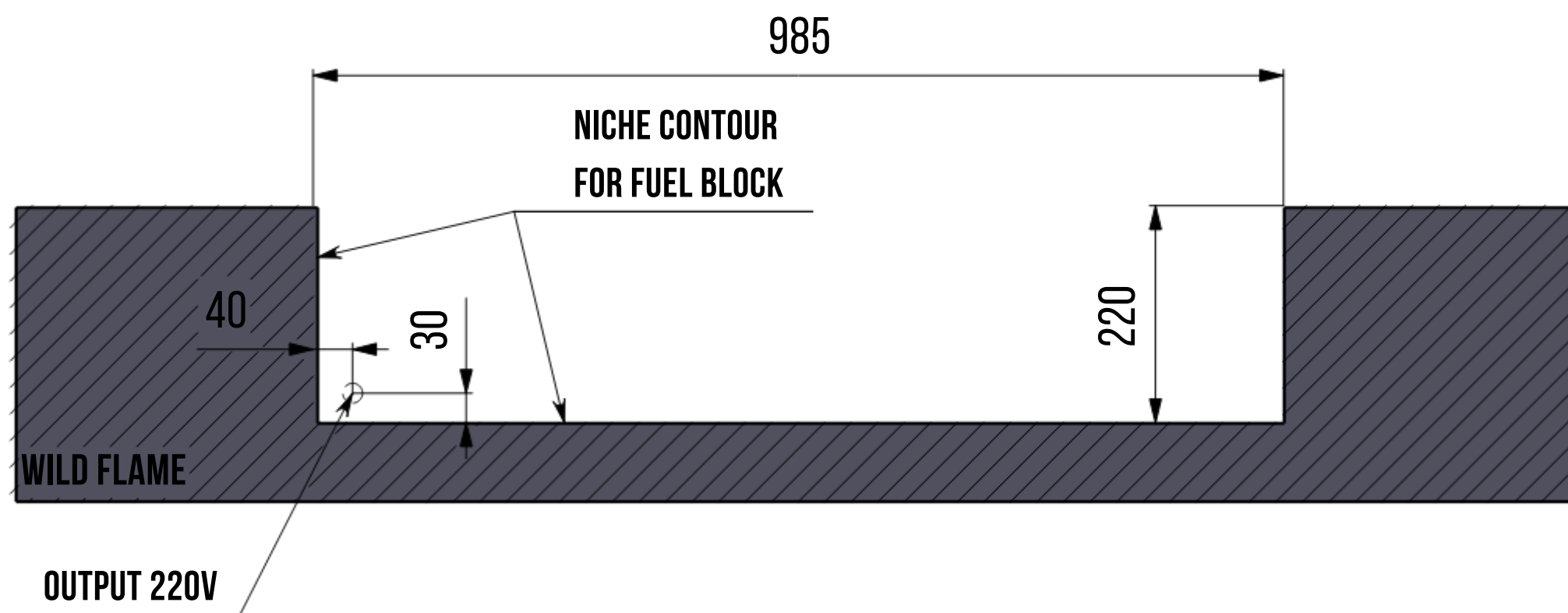
NICHE LENGTH - 985 MM

NICHE WIDTH - 280 MM

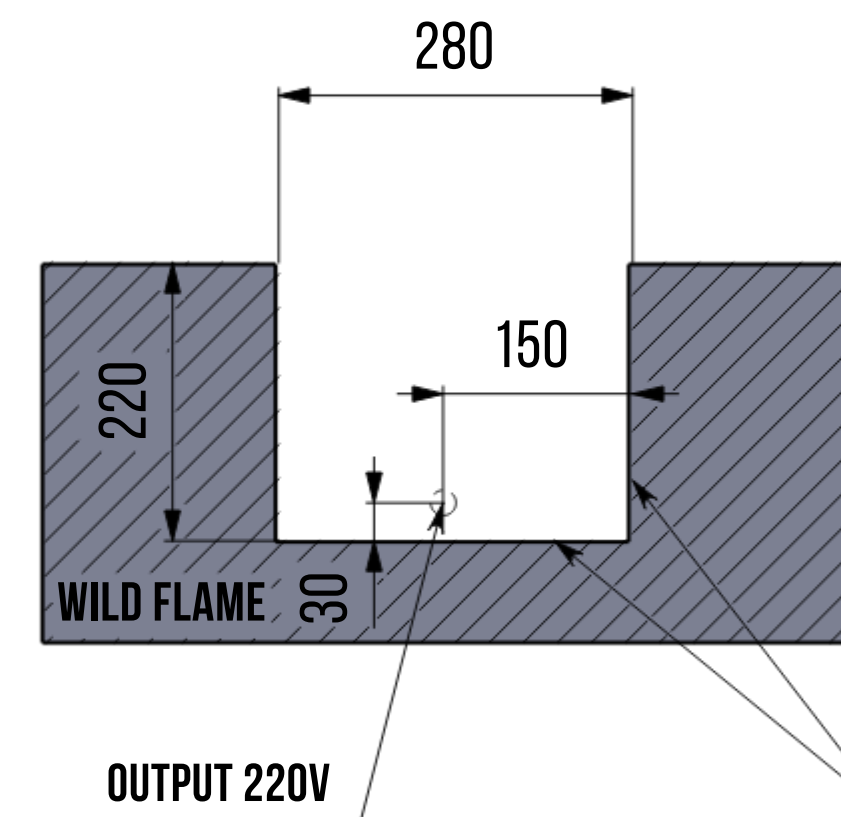
NICHE DEPTH - 220 MM



TOP VIEW



SIDE VIEW

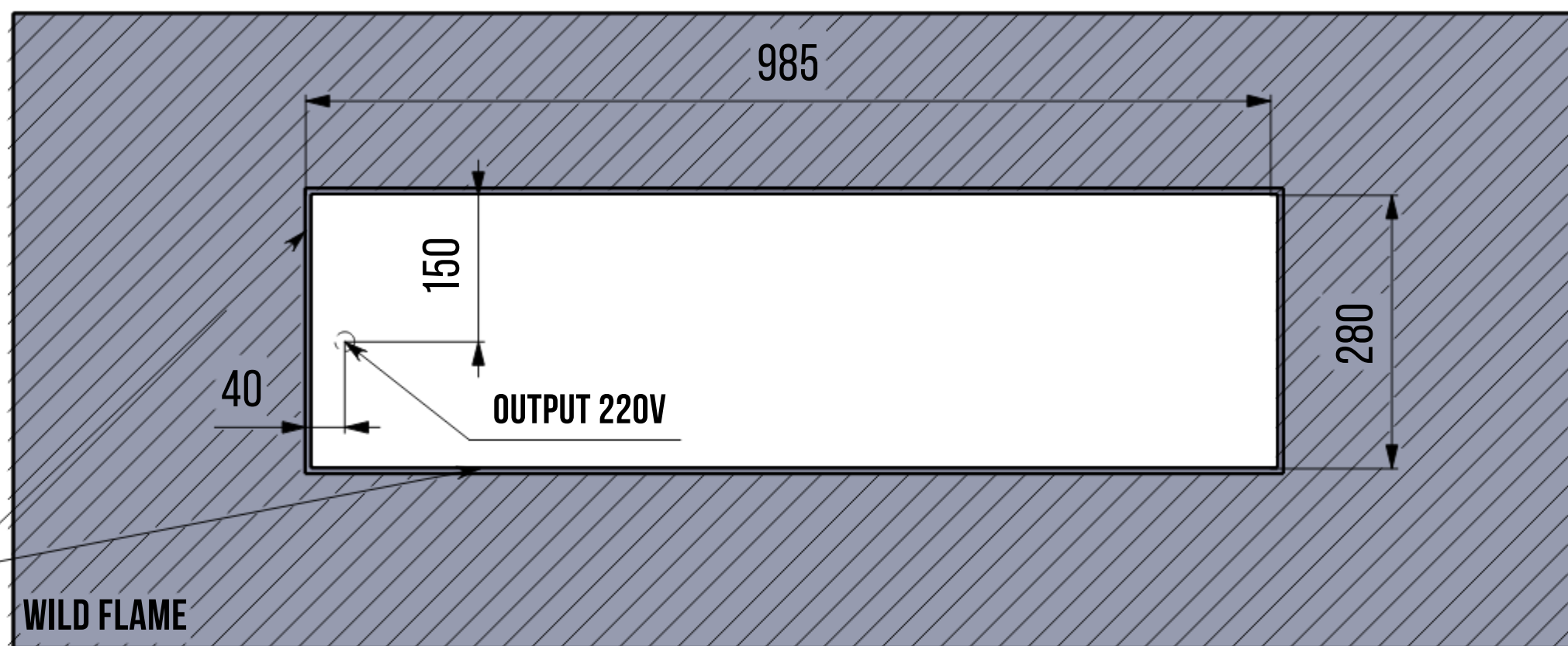


WILD FLAME

DUTCH MANUFACTURER

SCHEME OF NICHE FOR AN AUTOMATIC BIOFIREPLACE SMART FIRE A7 1000 MM (FLUSH - MOUNTED)

FRONT VIEW



NICHE DIMENSIONS FOR EMBEDDING THE BIOFIREPLACE:

NICHE LENGTH - 985 MM

NICHE WIDTH - 280 MM

NICHE DEPTH - 220 MM

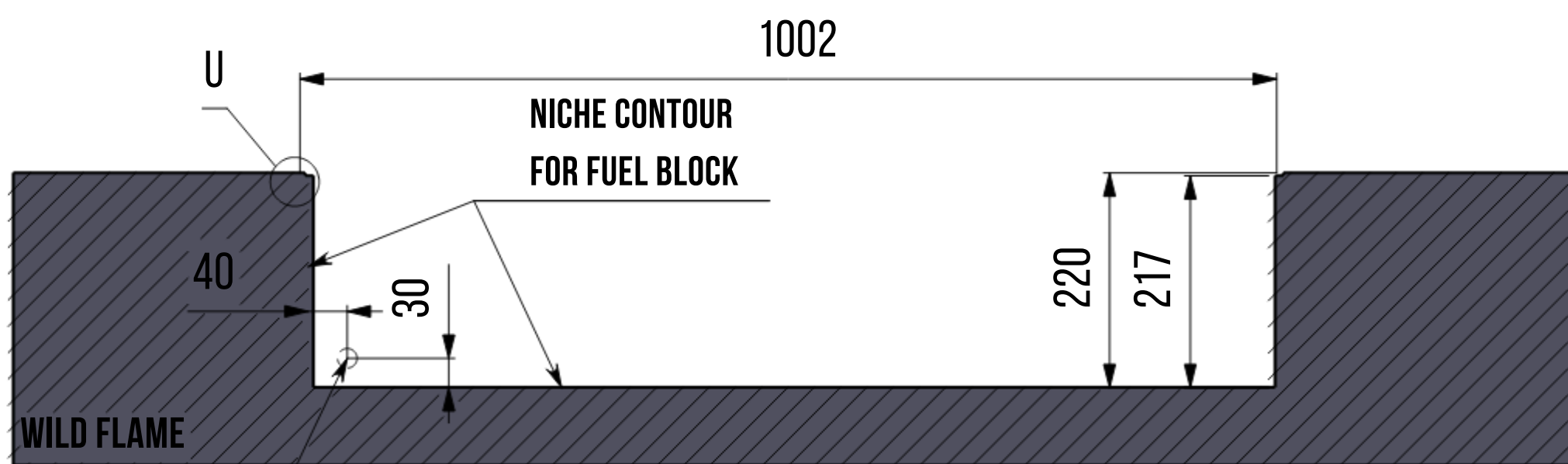
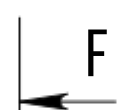
DIMENSIONS OF THE SEAT FOR THE FRONT PANEL OF THE BIOFIREPLACE:

NICHE LENGTH - 1002 MM

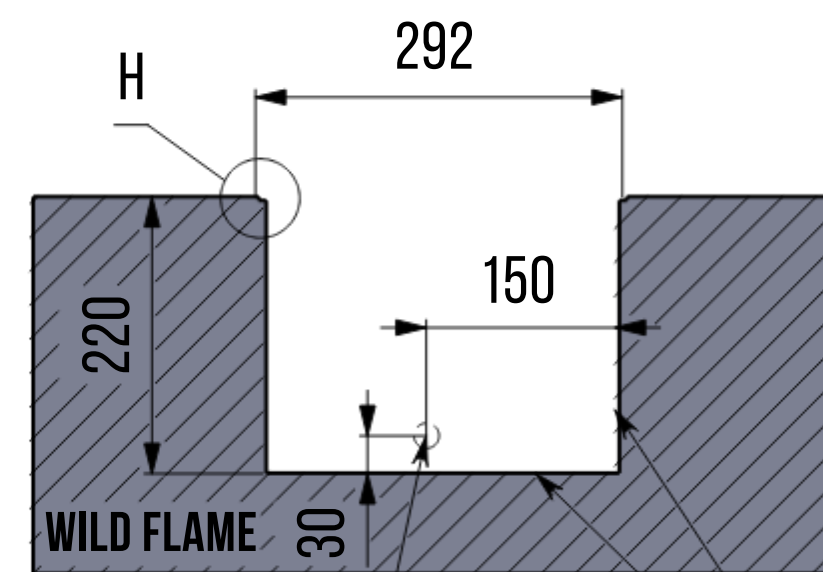
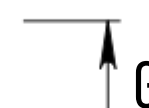
NICHE WIDTH - 292 MM

NICHE DEPTH - 3 MM

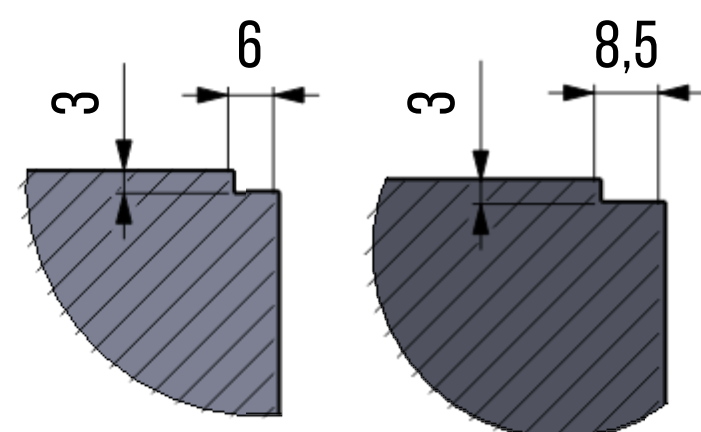
TOP VIEW



SIDE VIEW



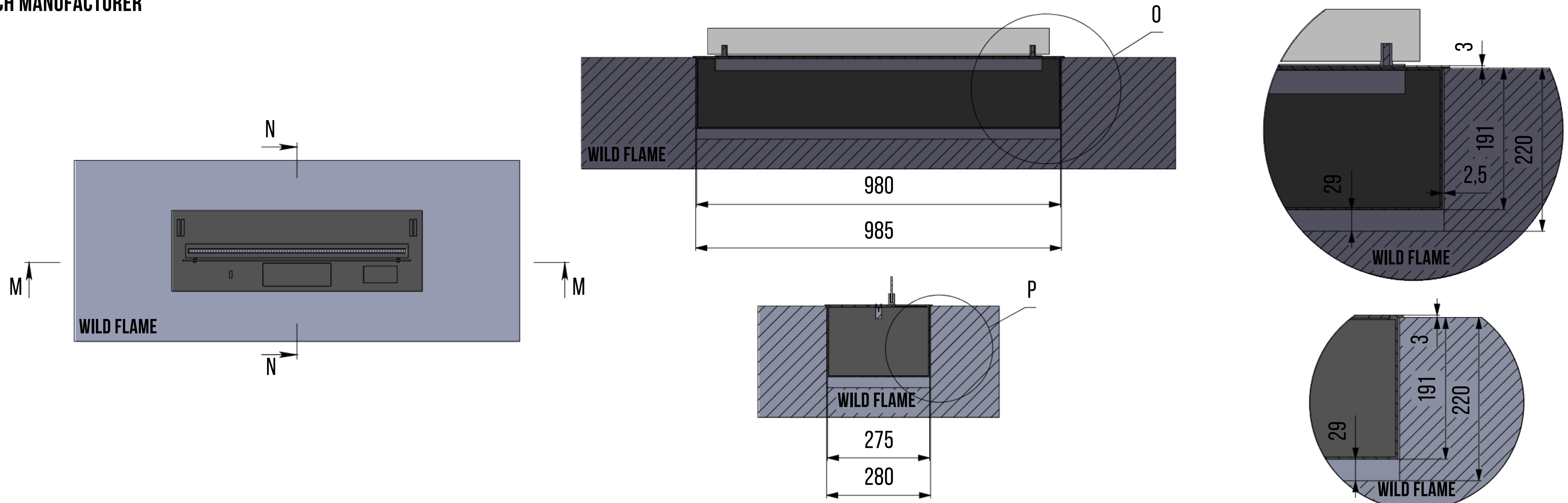
OUTPUT 220V



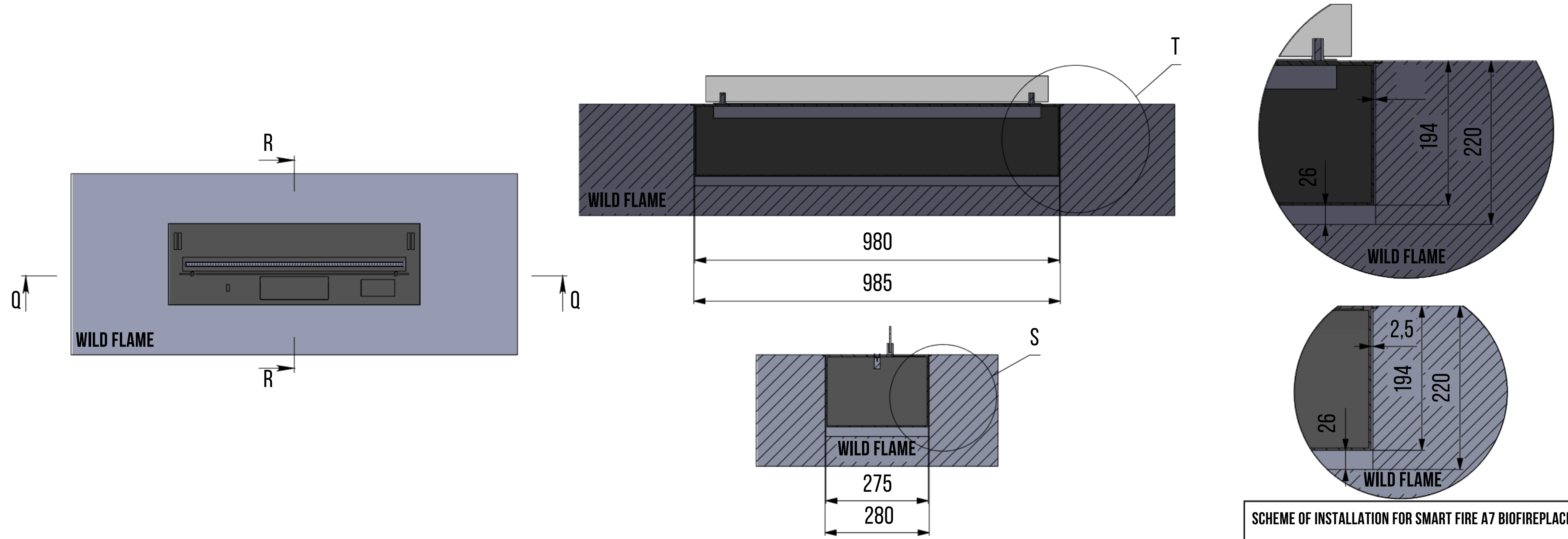
WILD FLAME

SCHEME OF INSTALLATION OF AN AUTOMATIC BIOFIREPLACE SMART FIRE A7 1000 MM IN A NICHE (OVERLAP)

DUTCH MANUFACTURER



SCHEME OF INSTALLATION OF AN AUTOMATIC BIOFIREPLACE SMART FIRE A7 1000 MM IN A NICHE (FLUSH - MOUNTED)



SCHEME OF INSTALLATION FOR SMART FIRE A7 BIOFIREPLACE