

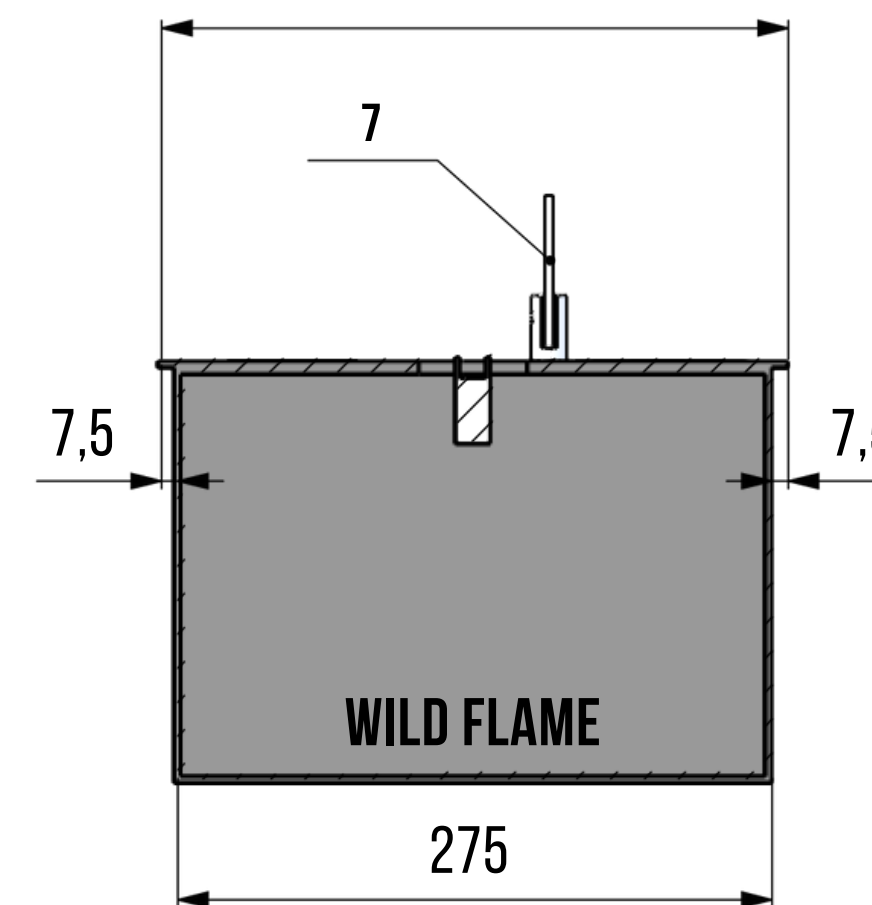
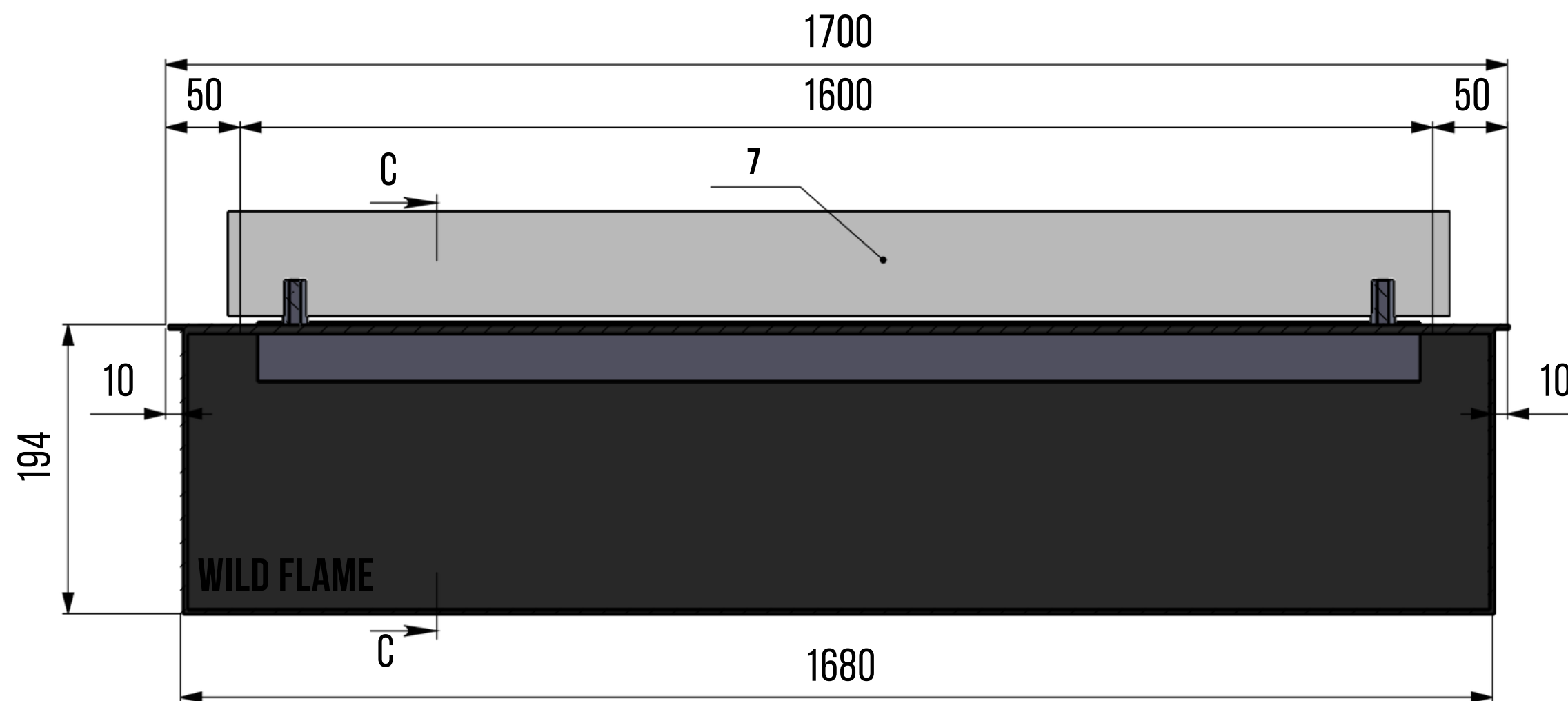
**WILD FLAME**

DUTCH MANUFACTURER

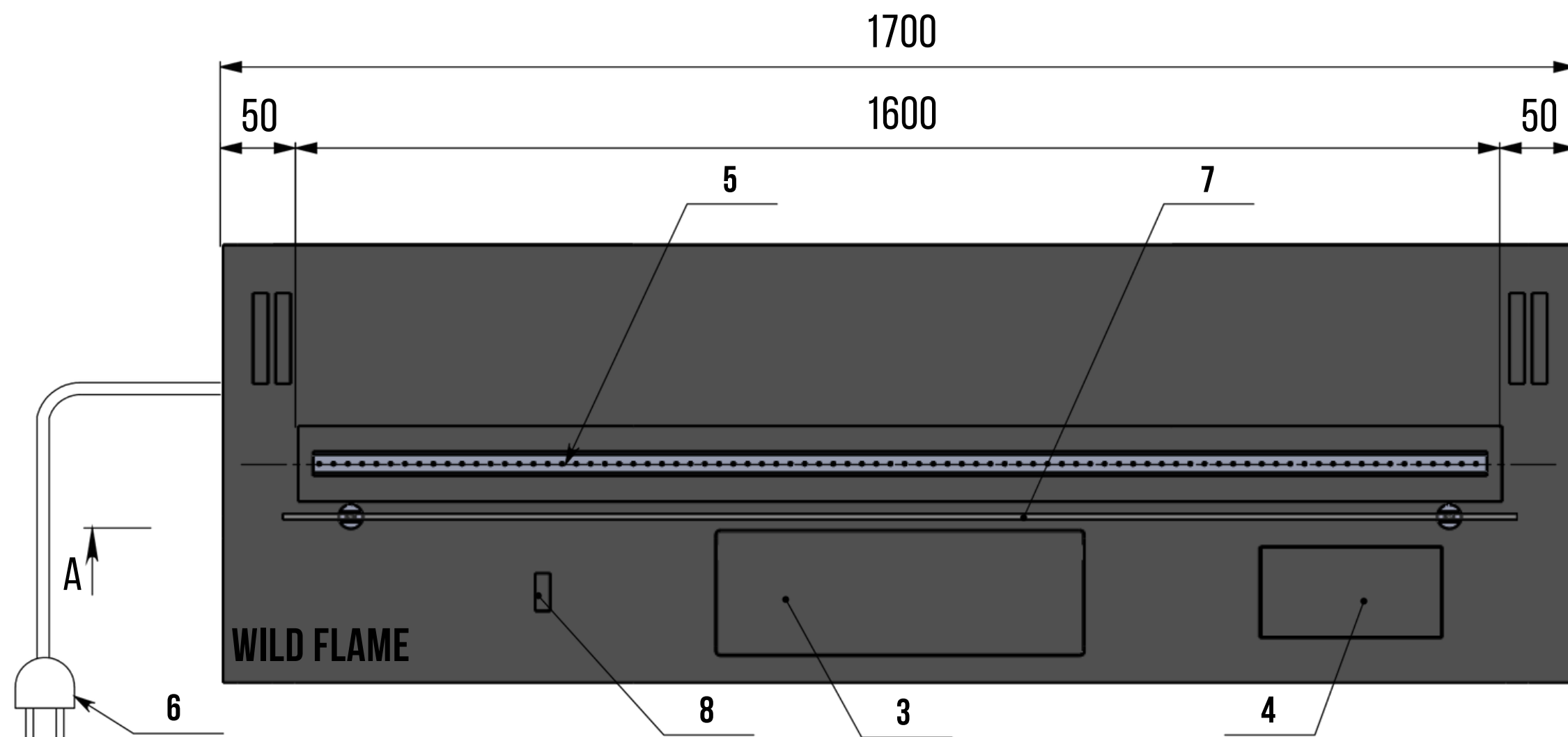
**SCHEME OF AUTOMATIC BIOFIREPLACE SMART FIRE A7 1700 MM**

**FRONT VIEW**

**SIDE VIEW**



**TOP VIEW**



NO:	NAMES
1	FRONT PANEL OF AUTOMATIC BIOFIREPLACE
2	DOUBLE - WALL HULL
3	CONTROL PANEL COVER AND REFUELING
4	WIRELESS CHARGING SURFACE
5	FIRE LINE
6	POWER CABLE ( 220V )
7	TEMPERED SAFETY GLASS
8	SENSOR FOR OPENING THE COVER OF THE CONTROL PANEL AND REFUELING

COLOUR: ACCORDING TO RAL SCALE \_\_\_\_\_  
WEIGHT: 51 KG.

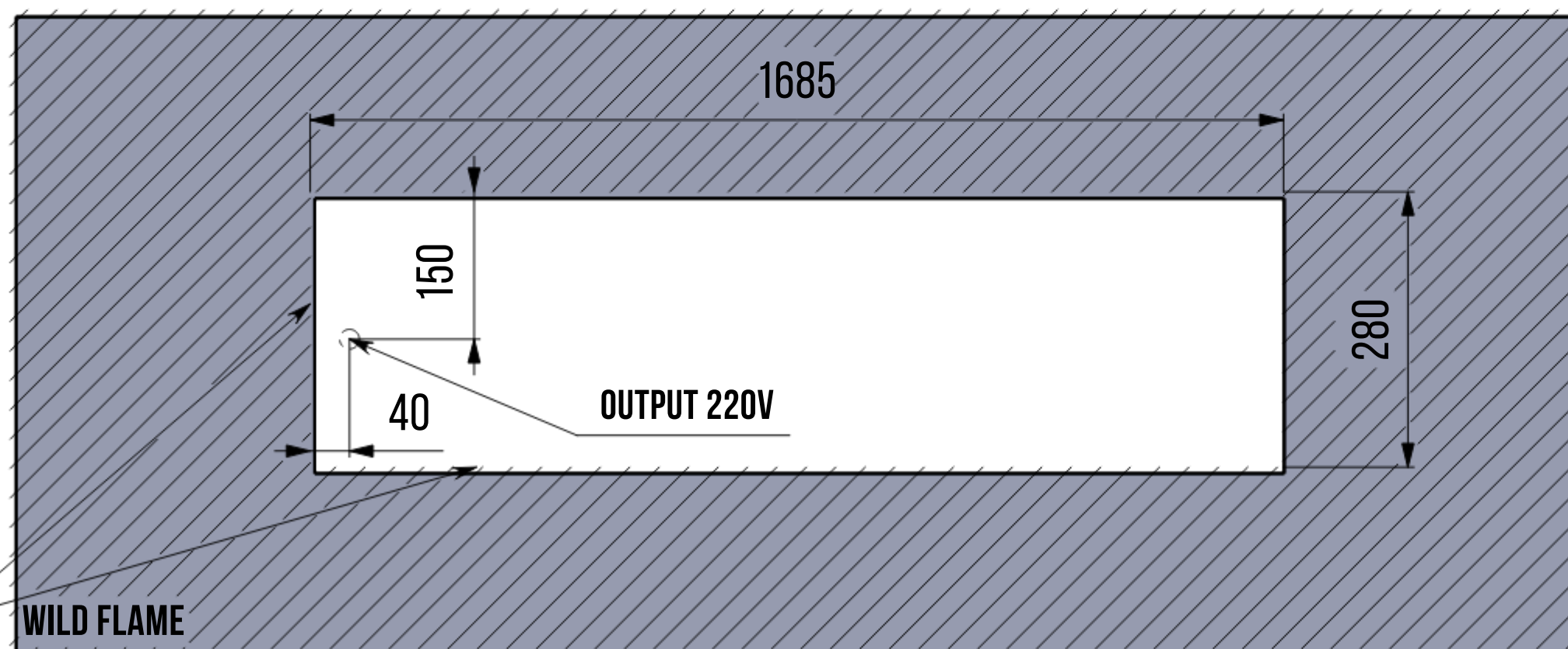
<b>SCHEME OF SMART FIRE A7</b>
<b>1700 X 290 X 194 MM</b>
<b>WWW.WILDFLAME.NL</b>

**WILD FLAME**

**DUTCH MANUFACTURER**

# SCHEME OF NICHE FOR AN AUTOMATIC BIOFIREPLACE SMART FIRE A7 1700 MM ( OVERLAP )

**FRONT VIEW**



**NICHE DIMENSIONS FOR EMBEDDING THE FUEL BLOCK:**

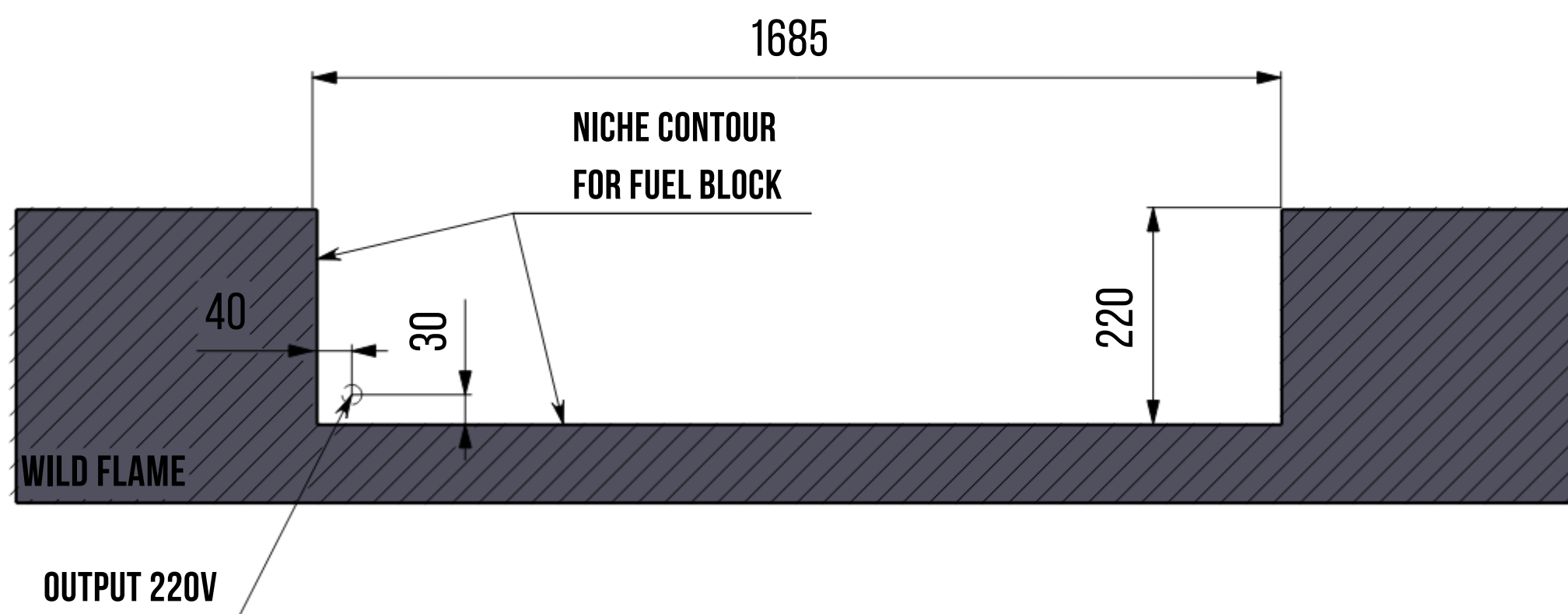
NICHE LENGTH - 1685 MM

NICHE WIDTH - 280 MM

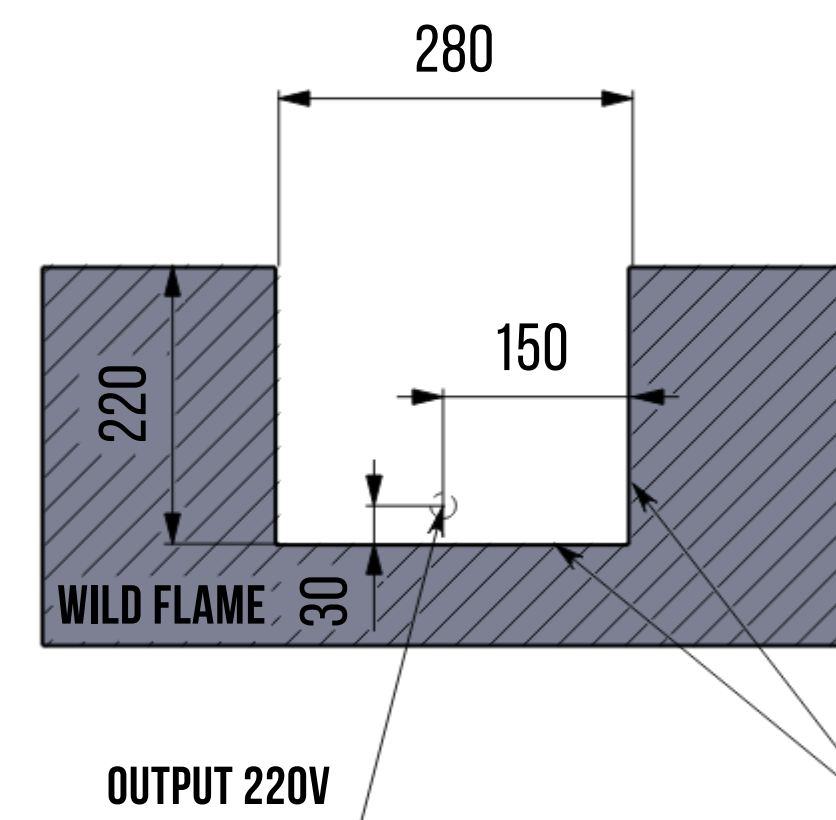
NICHE DEPTH - 220 MM



**TOP VIEW**



**SIDE VIEW**

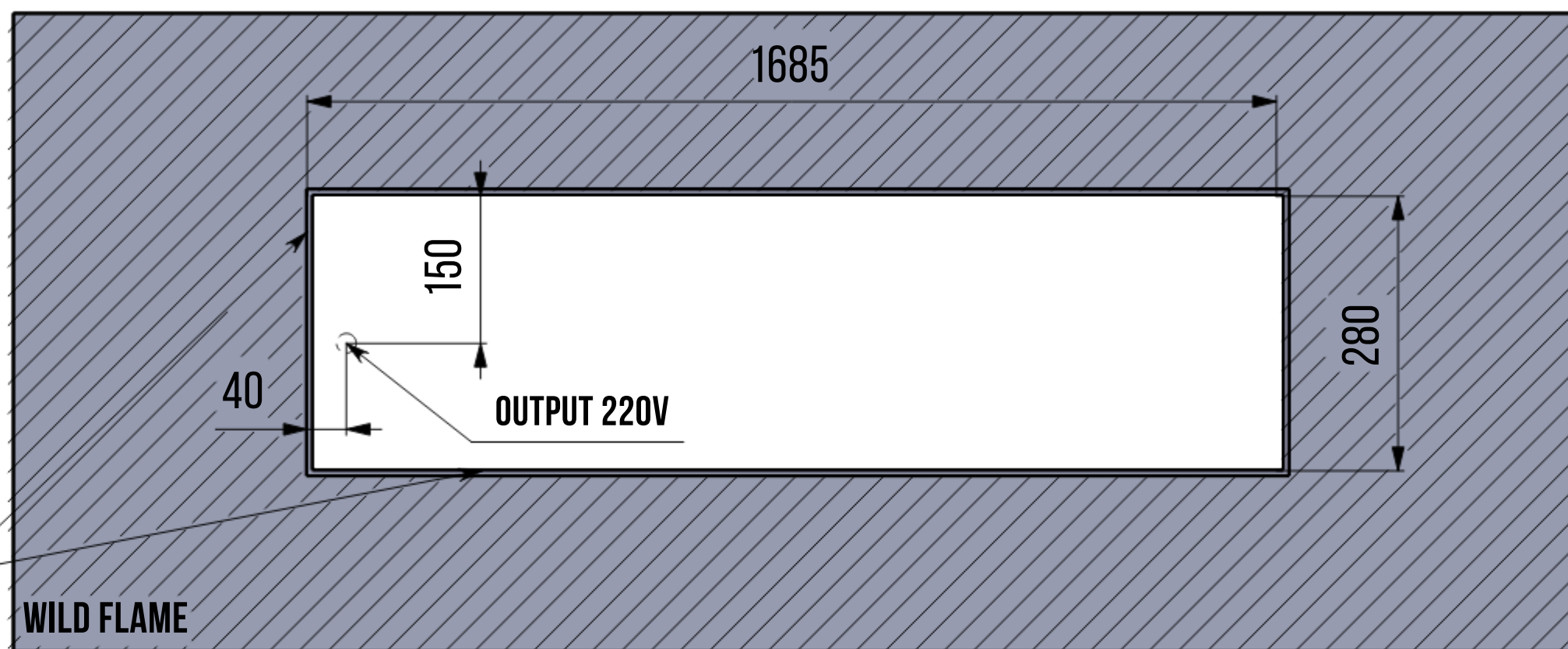


**WILD FLAME**

**DUTCH MANUFACTURER**

# SCHEME OF NICHE FOR AN AUTOMATIC BIOFIREPLACE SMART FIRE A7 1700 MM ( FLUSH - MOUNTED )

**FRONT VIEW**



**NICHE DIMENSIONS FOR EMBEDDING THE BIOFIREPLACE:**

NICHE LENGTH - 1685 MM

NICHE WIDTH - 280 MM

NICHE DEPTH - 220 MM

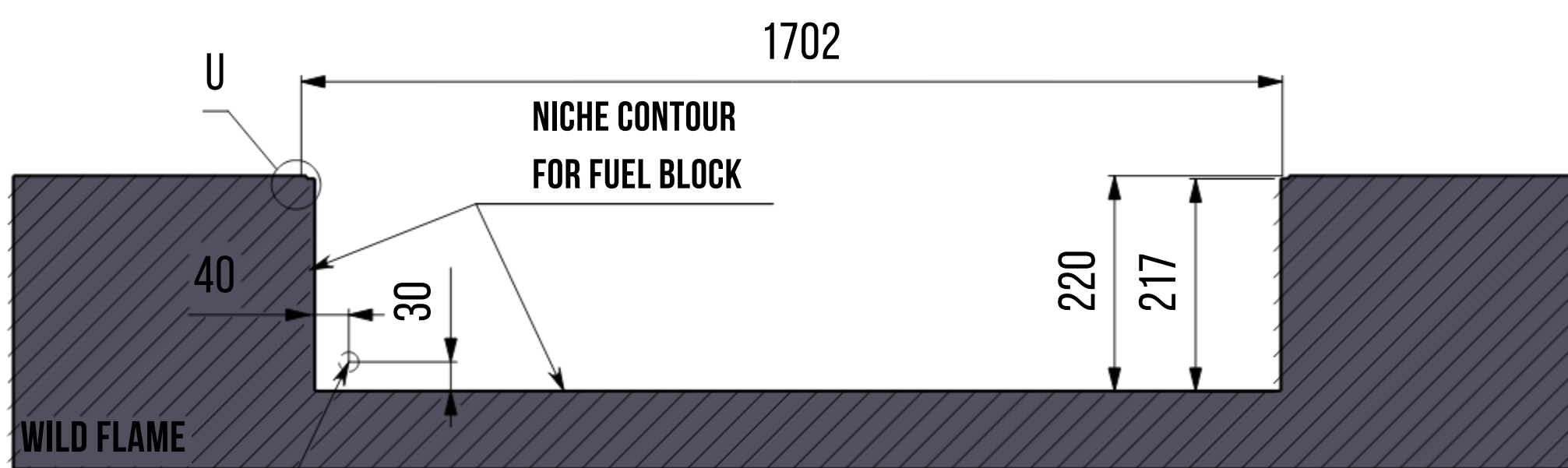
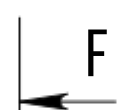
**DIMENSIONS OF THE SEAT FOR THE FRONT PANEL OF THE BIOFIREPLACE:**

NICHE LENGTH - 1702 MM

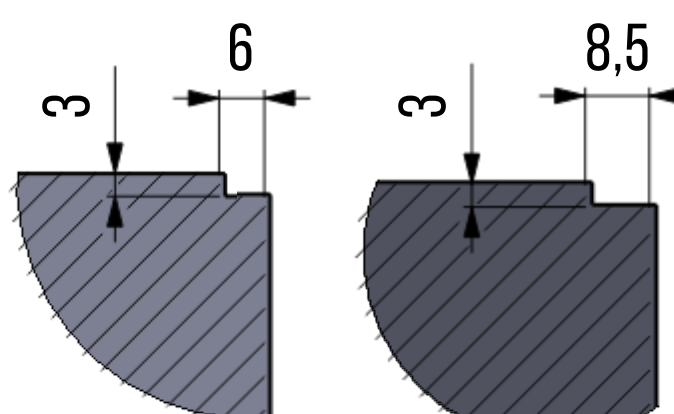
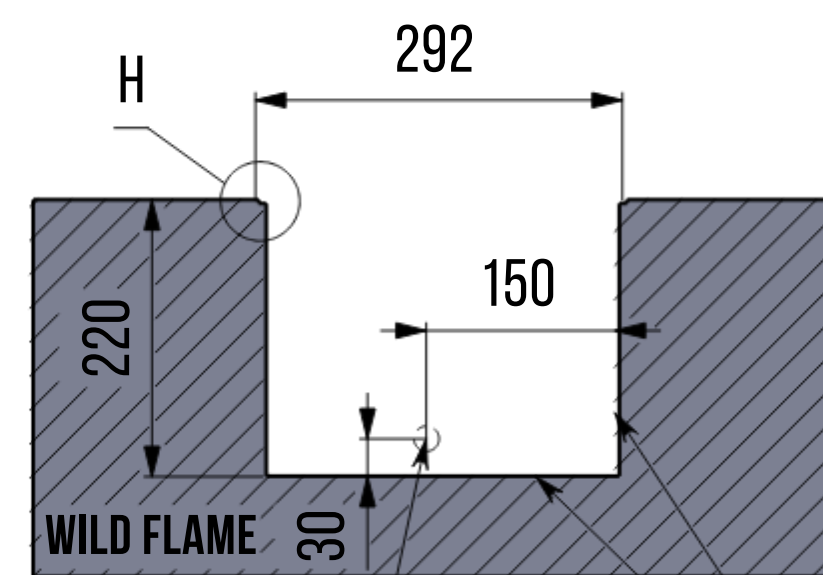
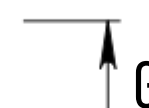
NICHE WIDTH - 292 MM

NICHE DEPTH - 3 MM

**TOP VIEW**



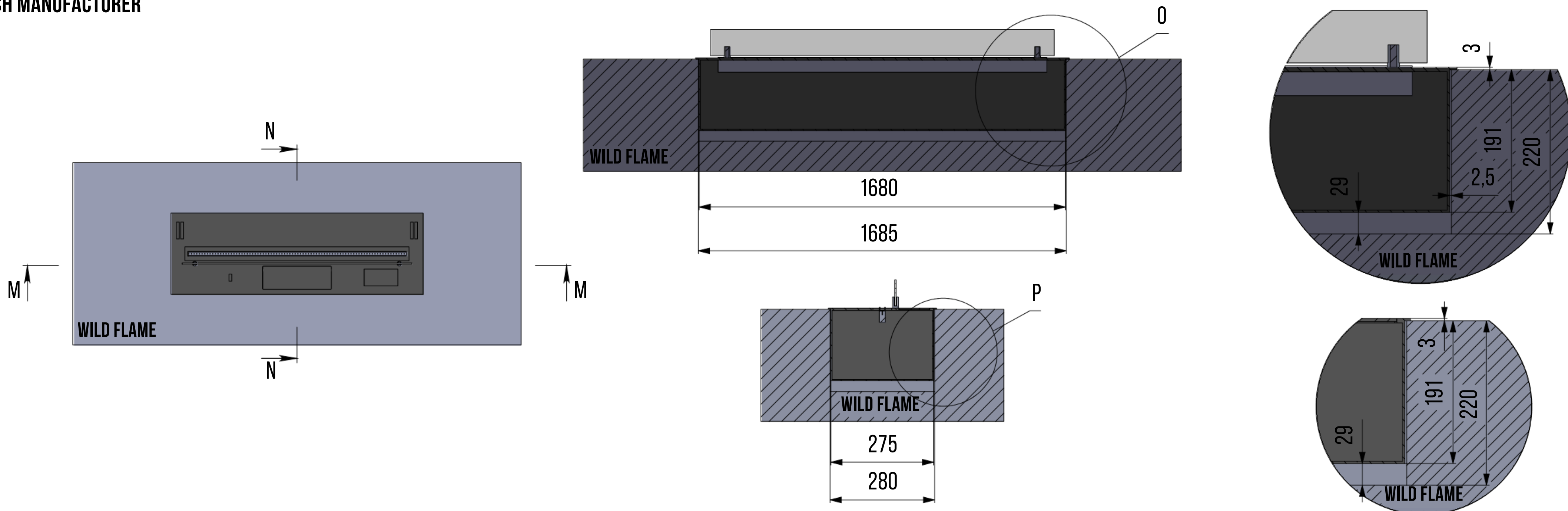
**SIDE VIEW**



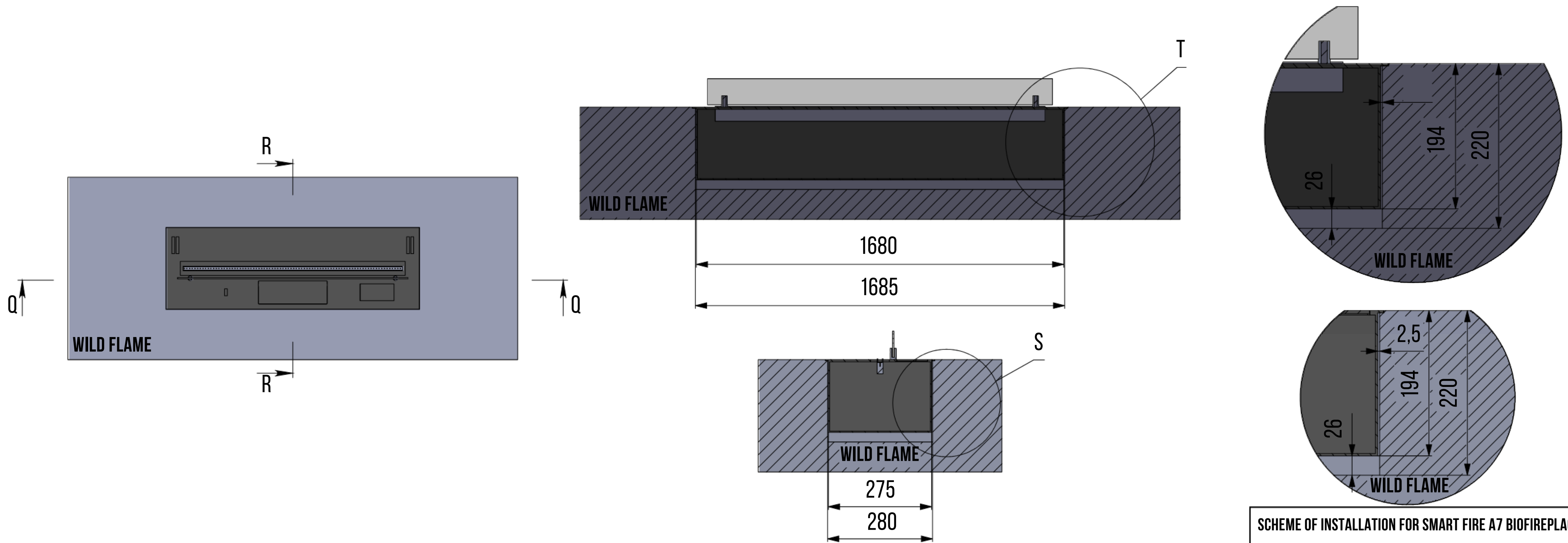
**WILD FLAME**

**DUTCH MANUFACTURER**

### SCHEME OF INSTALLATION OF AN AUTOMATIC BIOFIREPLACE SMART FIRE A7 1700 MM IN A NICHE ( OVERLAP )



### SCHEME OF INSTALLATION OF AN AUTOMATIC BIOFIREPLACE SMART FIRE A7 1700 MM IN A NICHE ( FLUSH - MOUNTED )



SCHEME OF INSTALLATION FOR SMART FIRE A7 BIOFIREPLACE