

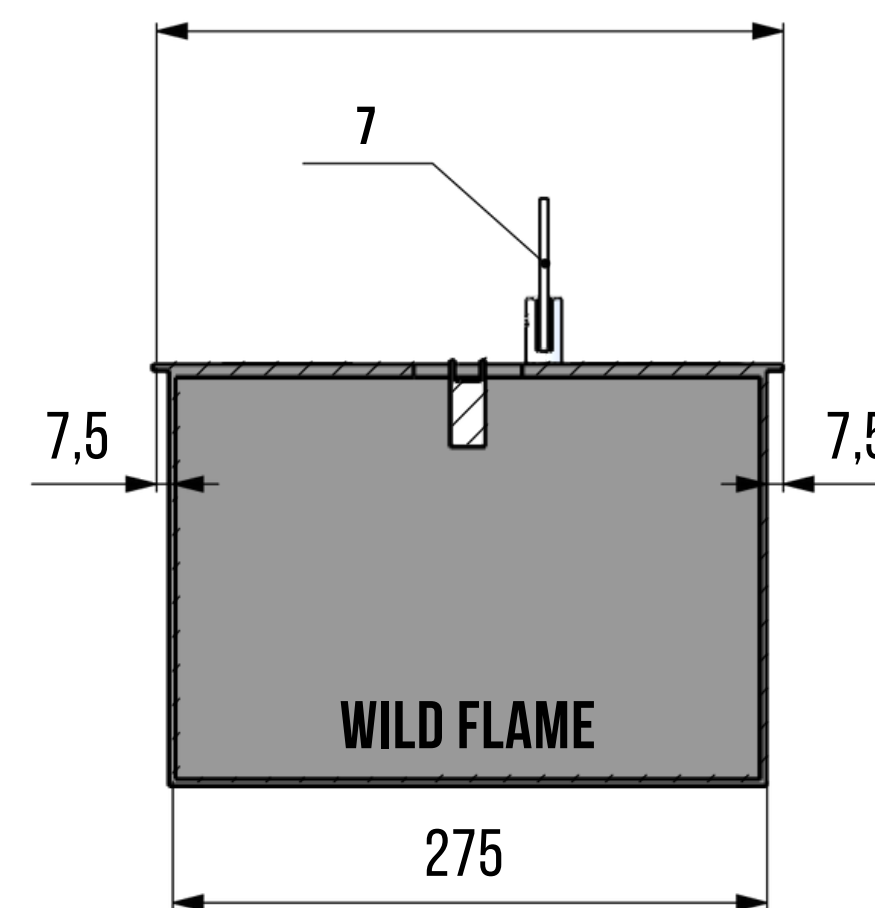
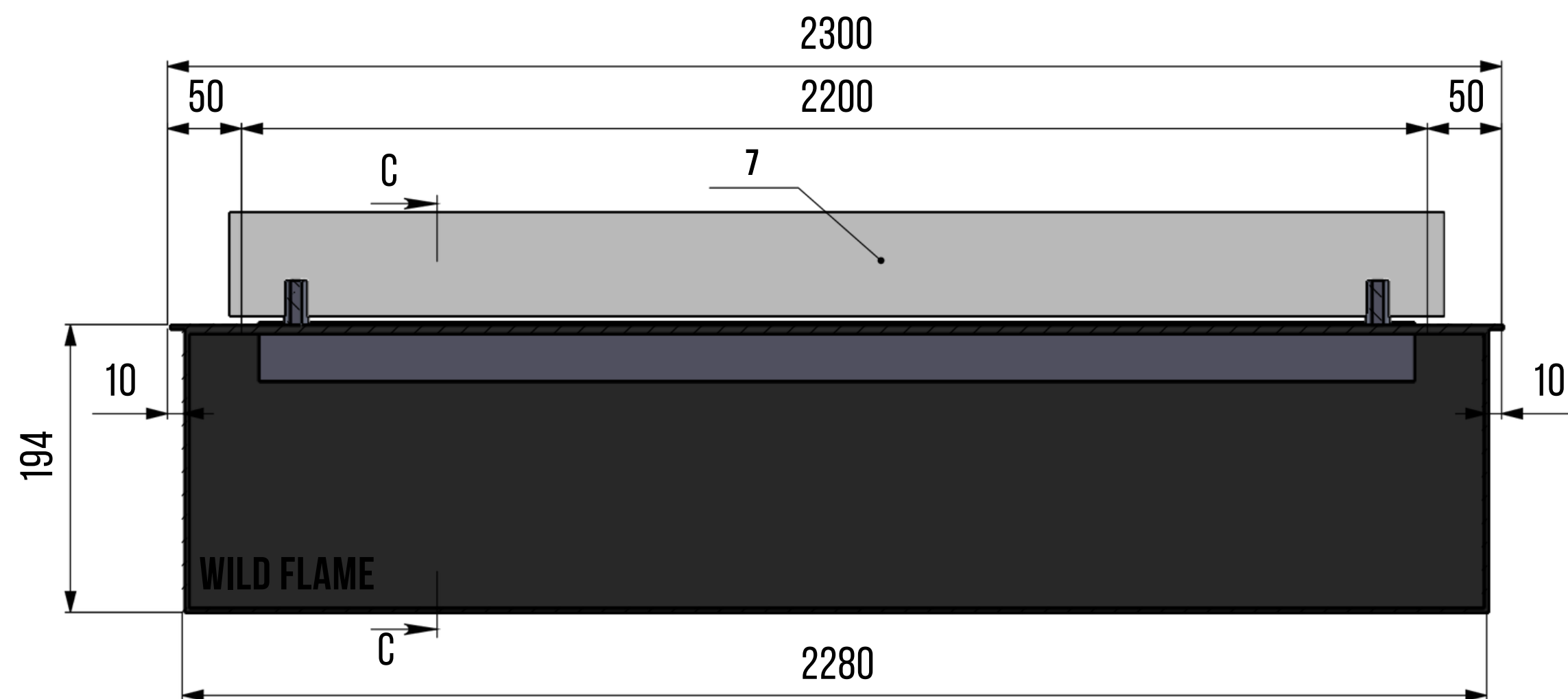
WILD FLAME

DUTCH MANUFACTURER

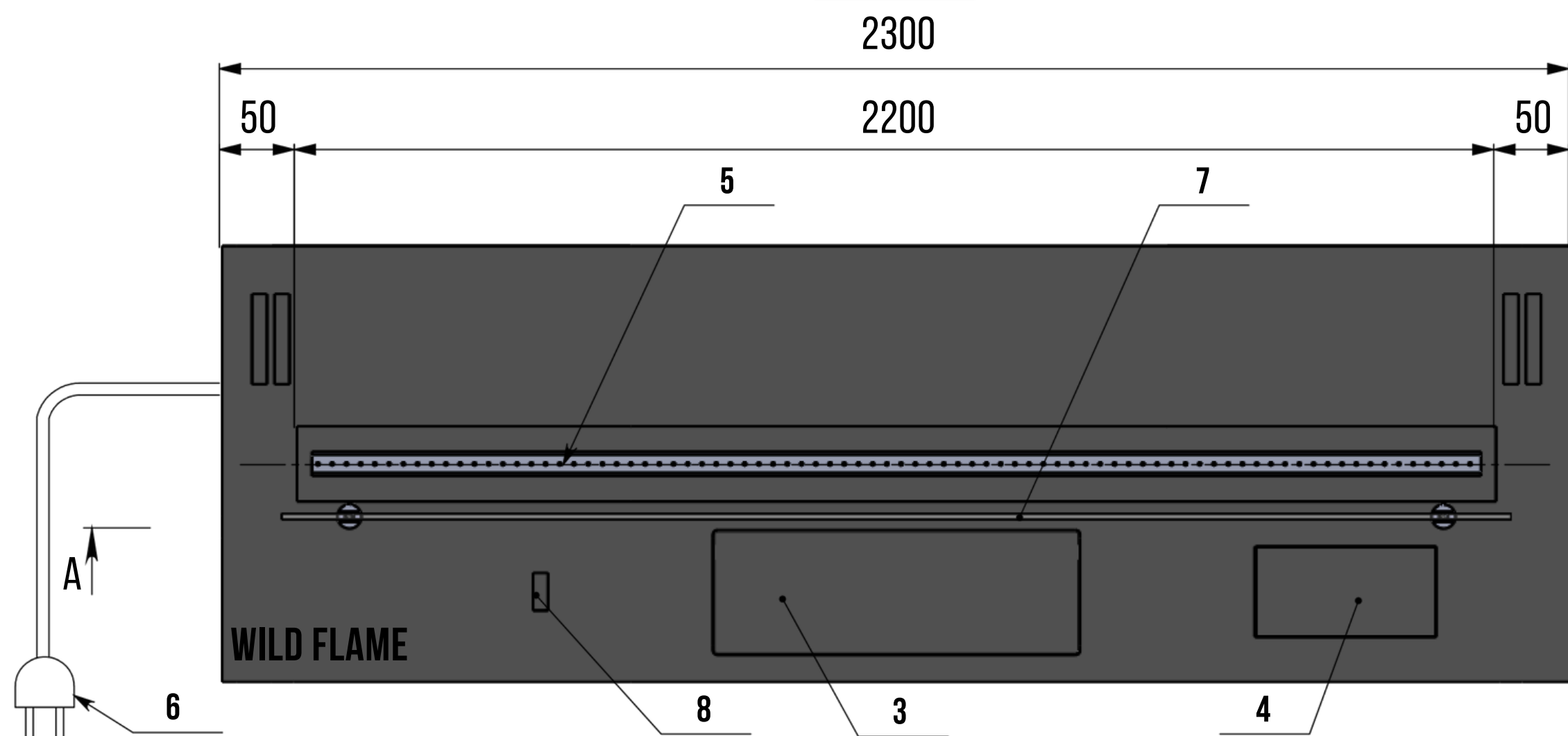
SCHEME OF AUTOMATIC BIOFIREPLACE SMART FIRE A7 2300 MM

FRONT VIEW

SIDE VIEW



TOP VIEW



NO:	NAMES
1	FRONT PANEL OF AUTOMATIC BIOFIREPLACE
2	DOUBLE - WALL HULL
3	CONTROL PANEL COVER AND REFUELING
4	WIRELESS CHARGING SURFACE
5	FIRE LINE
6	POWER CABLE (220V)
7	TEMPERED SAFETY GLASS
8	SENSOR FOR OPENING THE COVER OF THE CONTROL PANEL AND REFUELING

COLOUR: ACCORDING TO RAL SCALE _____
 WEIGHT: 69 KG.

SCHEME OF SMART FIRE A7

2300 X 290 X 194 MM

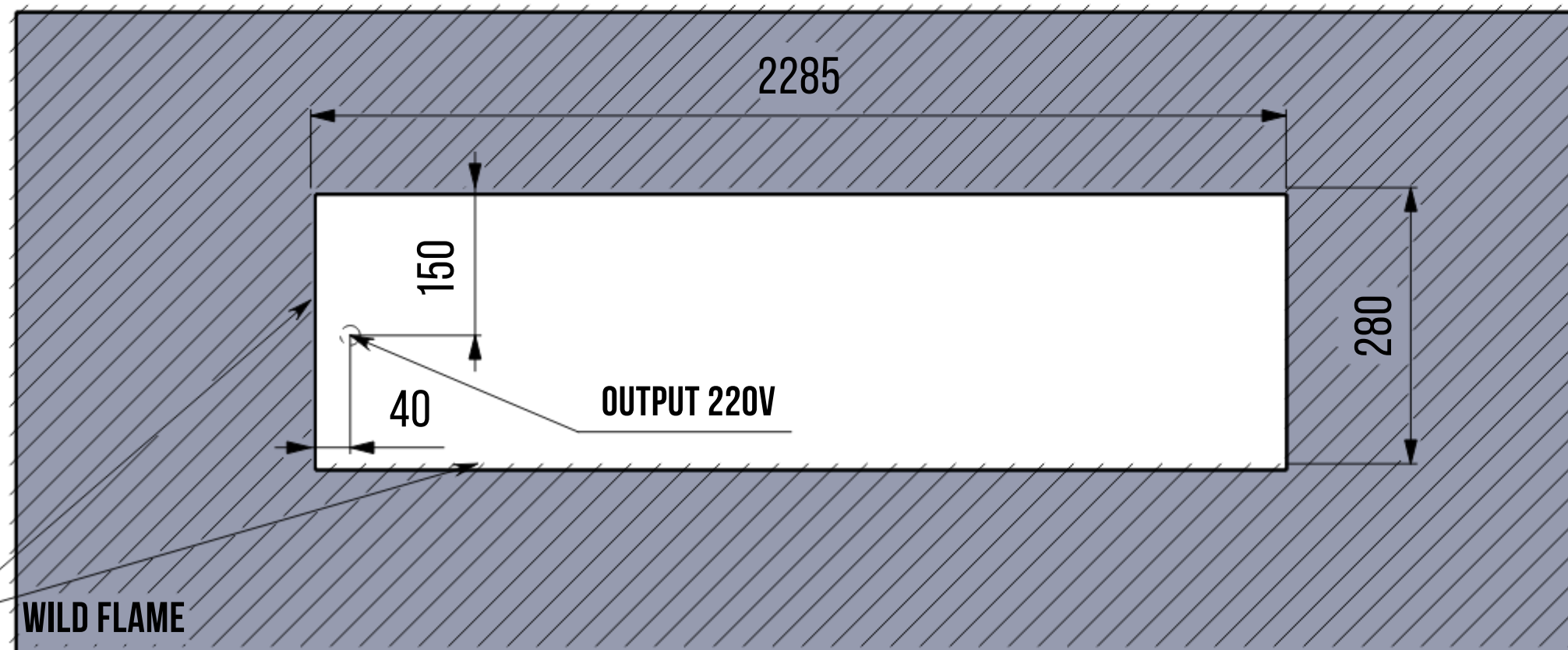
WWW.WILDFLAME.NL

WILD FLAME

DUTCH MANUFACTURER

SCHEME OF NICHE FOR AN AUTOMATIC BIOFIREPLACE SMART FIRE A7 2300 MM (OVERLAP)

FRONT VIEW



**NICHE CONTOUR
FOR FUEL BLOCK**

WILD FLAME

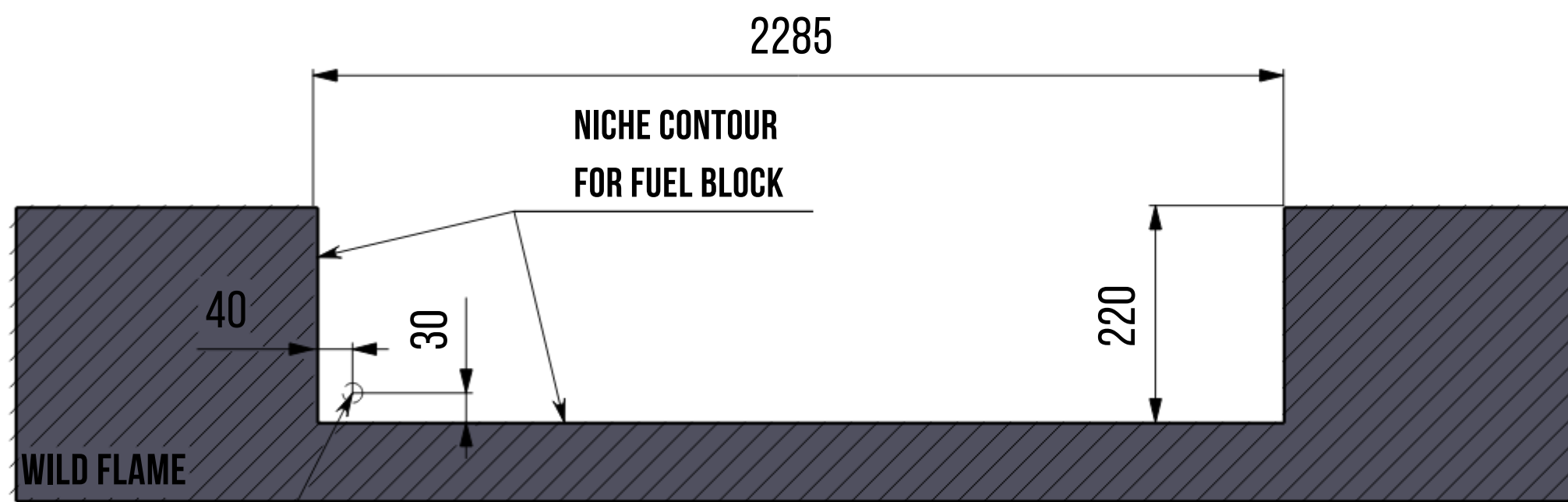
NICHE DIMENSIONS FOR EMBEDDING THE FUEL BLOCK:

NICHE LENGTH - 2285 MM

NICHE WIDTH - 280 MM

NICHE DEPTH - 220 MM

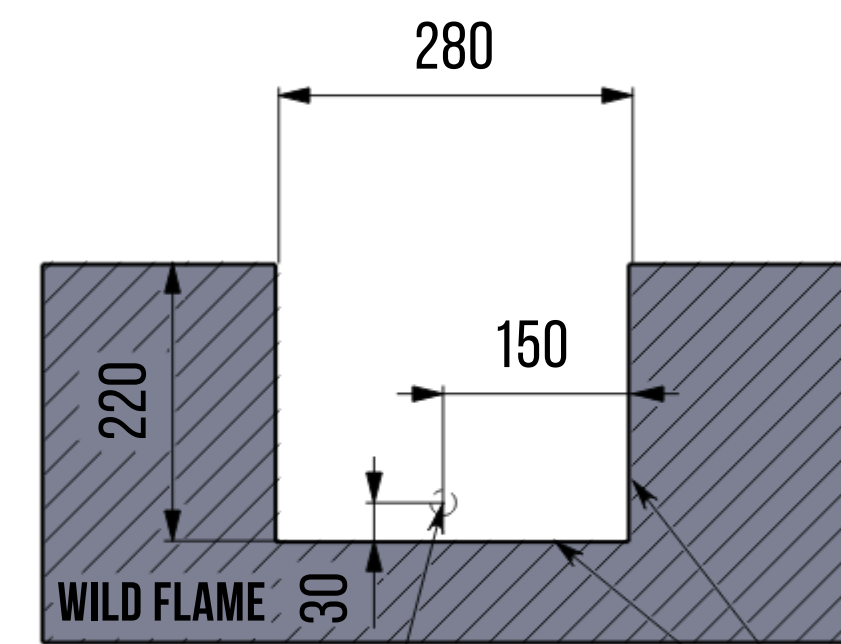
TOP VIEW



WILD FLAME

OUTPUT 220V

SIDE VIEW



WILD FLAME

OUTPUT 220V

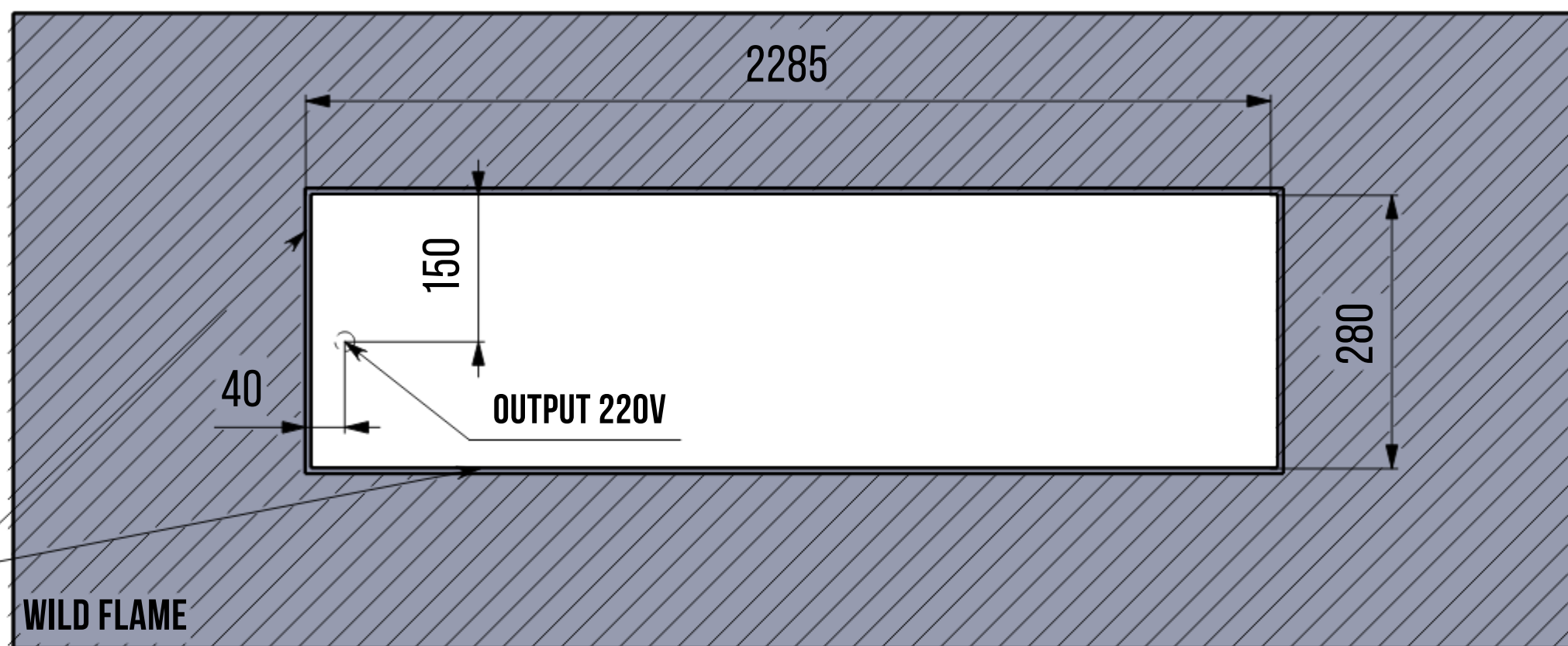
**NICHE CONTOUR
FOR FUEL BLOCK**

WILD FLAME

DUTCH MANUFACTURER

SCHEME OF NICHE FOR AN AUTOMATIC BIOFIREPLACE SMART FIRE A7 2300 MM (FLUSH - MOUNTED)

FRONT VIEW



NICHE DIMENSIONS FOR EMBEDDING THE BIOFIREPLACE:

NICHE LENGTH - 2285 MM

NICHE WIDTH - 280 MM

NICHE DEPTH - 220 MM

DIMENSIONS OF THE SEAT FOR THE FRONT PANEL OF THE BIOFIREPLACE:

NICHE LENGTH - 2302 MM

NICHE WIDTH - 292 MM

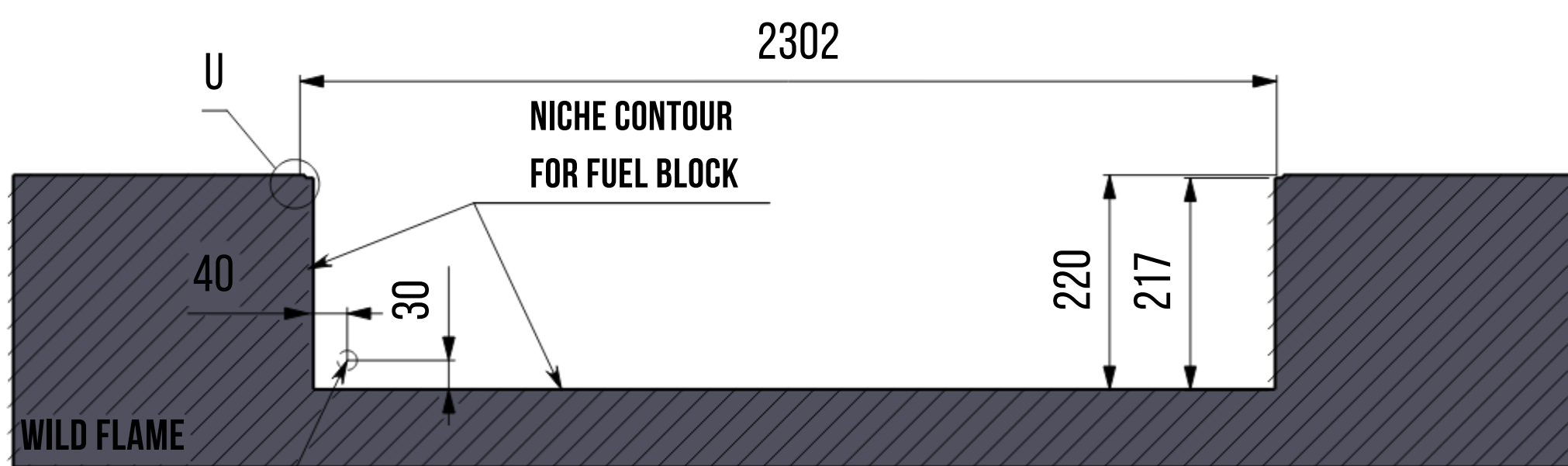
NICHE DEPTH - 3 MM



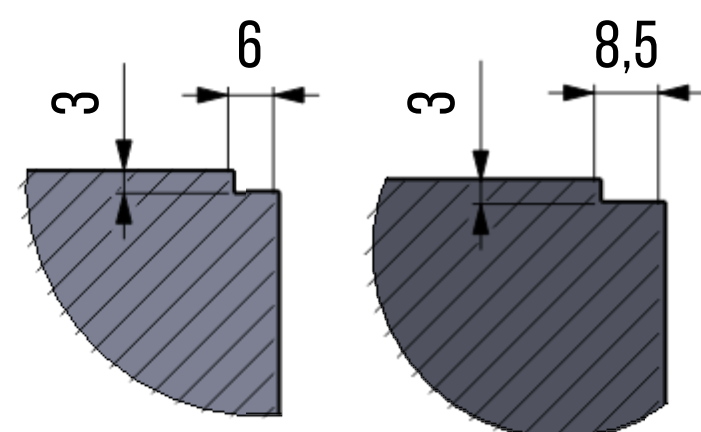
NICHE CONTOUR FOR FUEL BLOCK

WILD FLAME

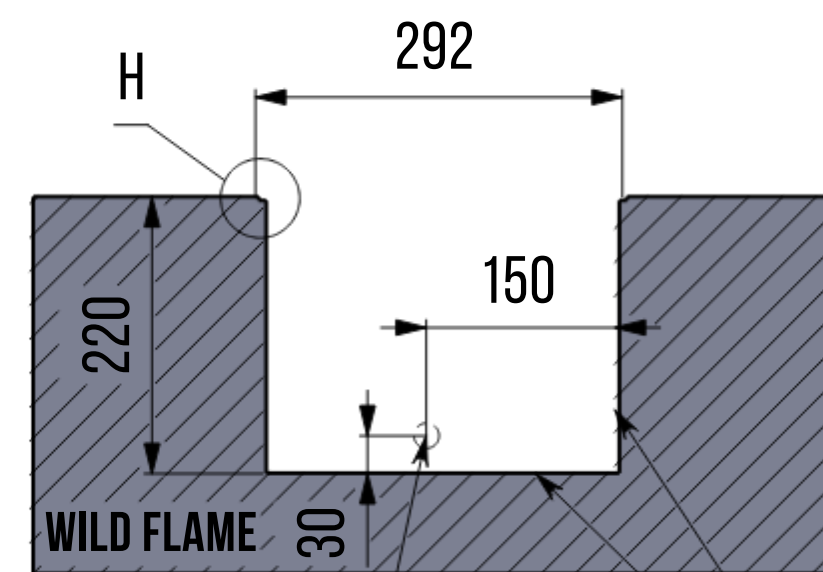
TOP VIEW



OUTPUT 220V



SIDE VIEW



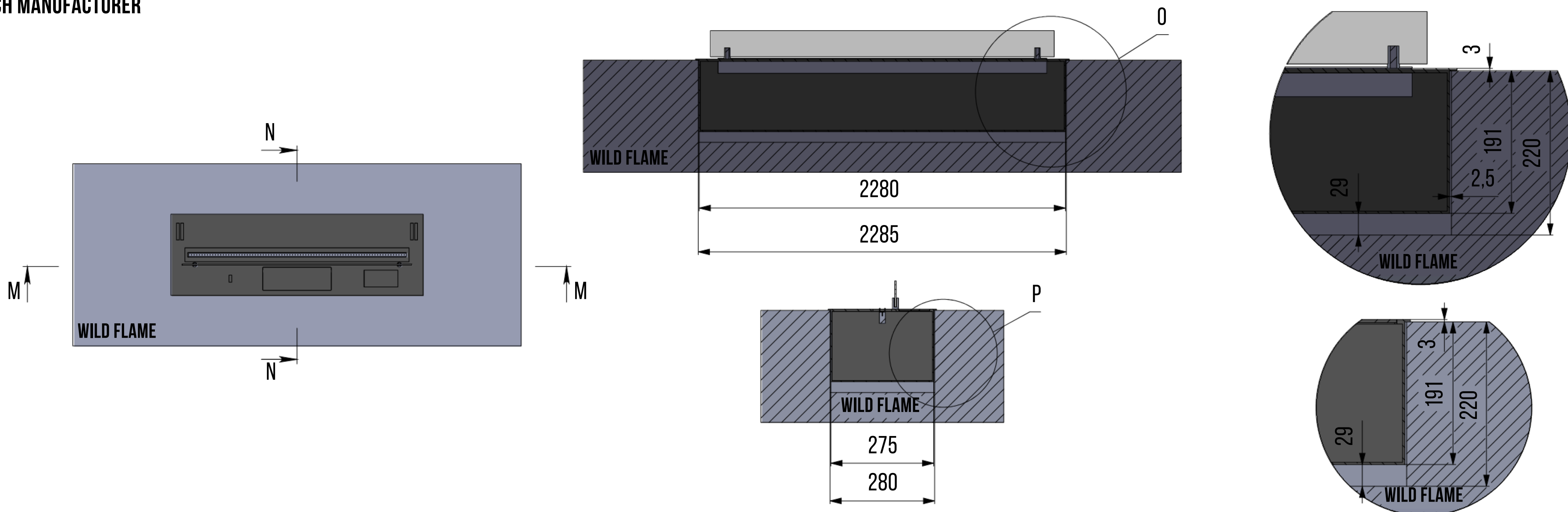
OUTPUT 220V

NICHE CONTOUR FOR FUEL BLOCK

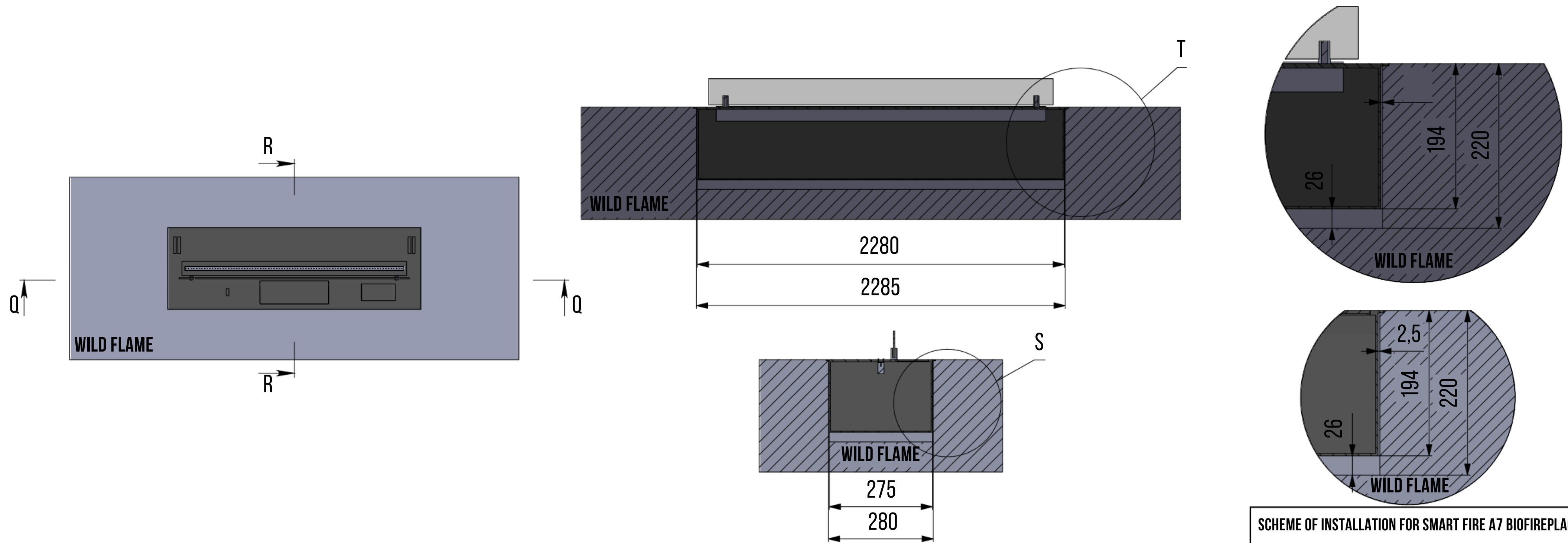
WILD FLAME

DUTCH MANUFACTURER

SCHEME OF INSTALLATION OF AN AUTOMATIC BIOFIREPLACE SMART FIRE A7 2300 MM IN A NICHE (OVERLAP)



SCHEME OF INSTALLATION OF AN AUTOMATIC BIOFIREPLACE SMART FIRE A7 2300 MM IN A NICHE (FLUSH - MOUNTED)



SCHEME OF INSTALLATION FOR SMART FIRE A7 BIOFIREPLACE