

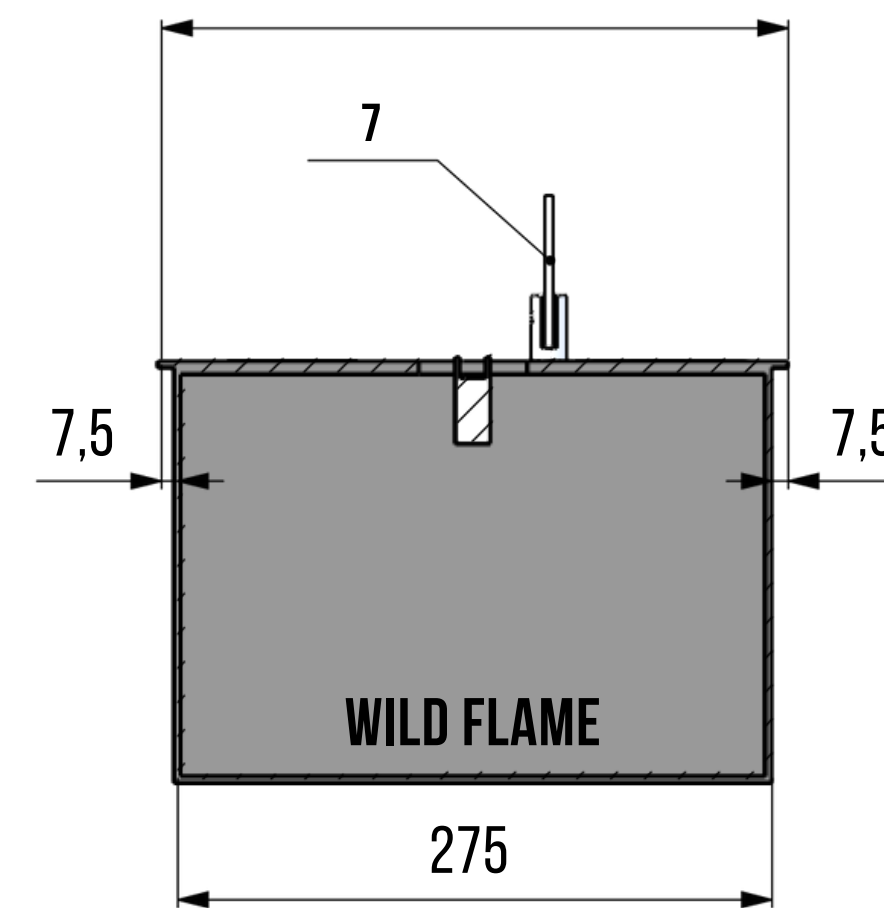
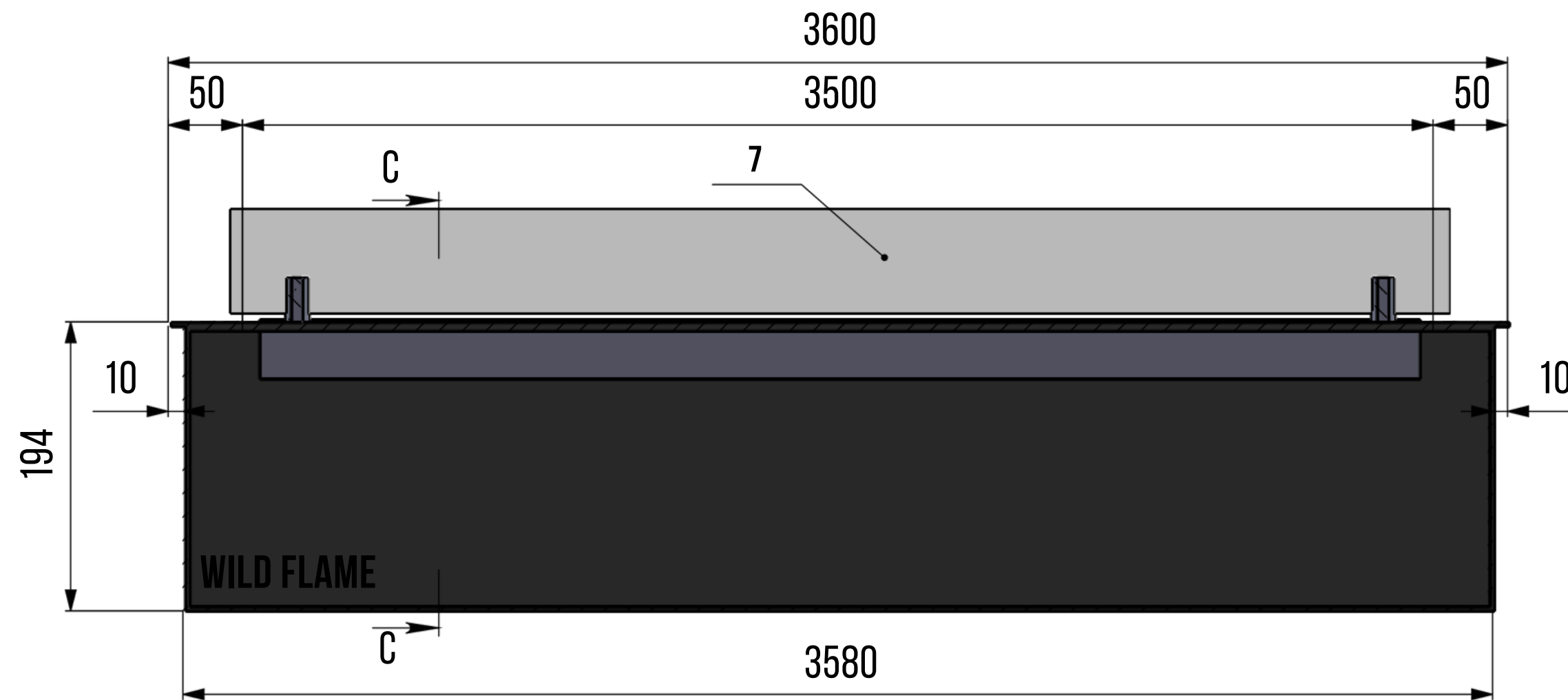
**WILD FLAME**

**DUTCH MANUFACTURER**

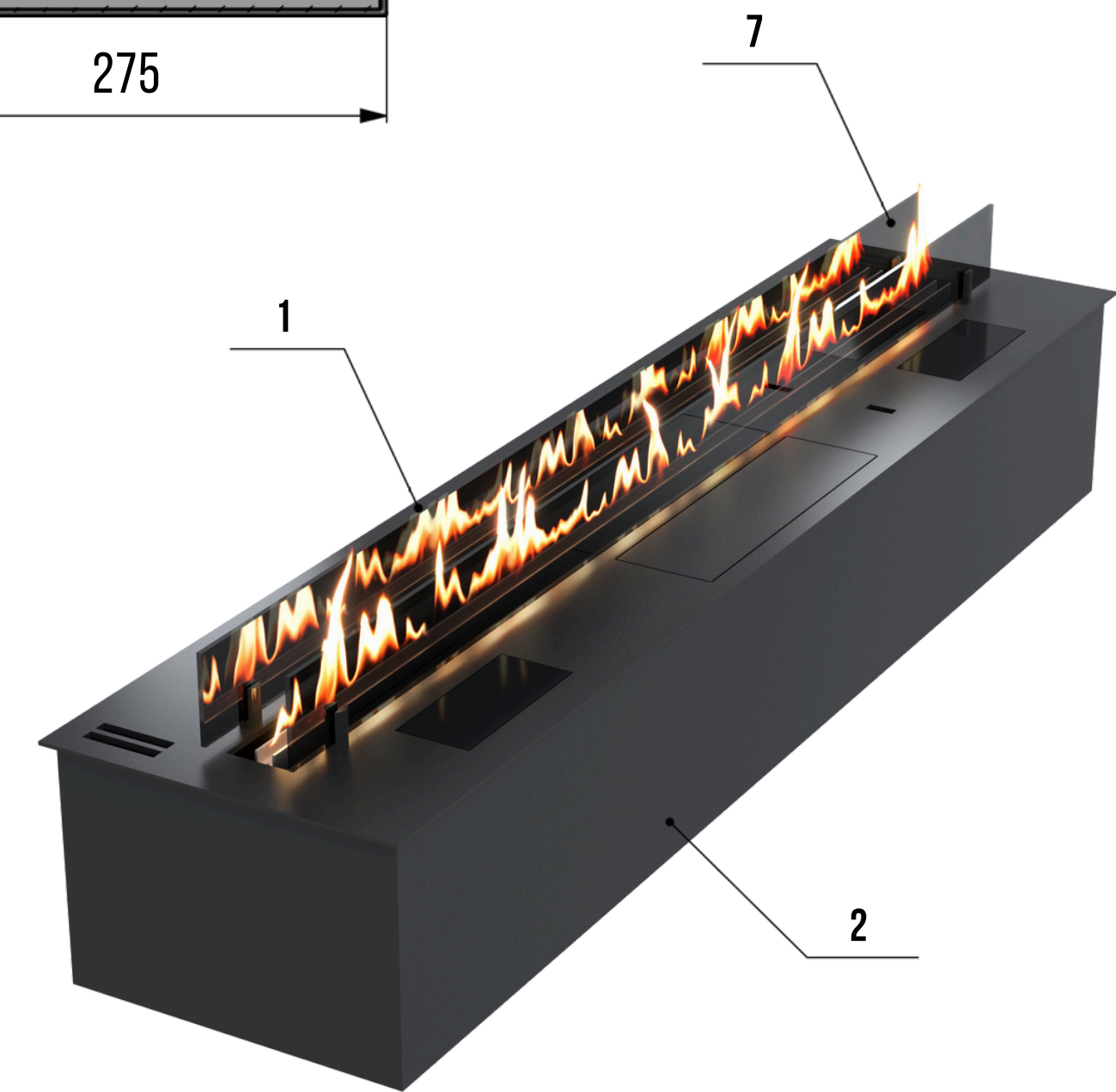
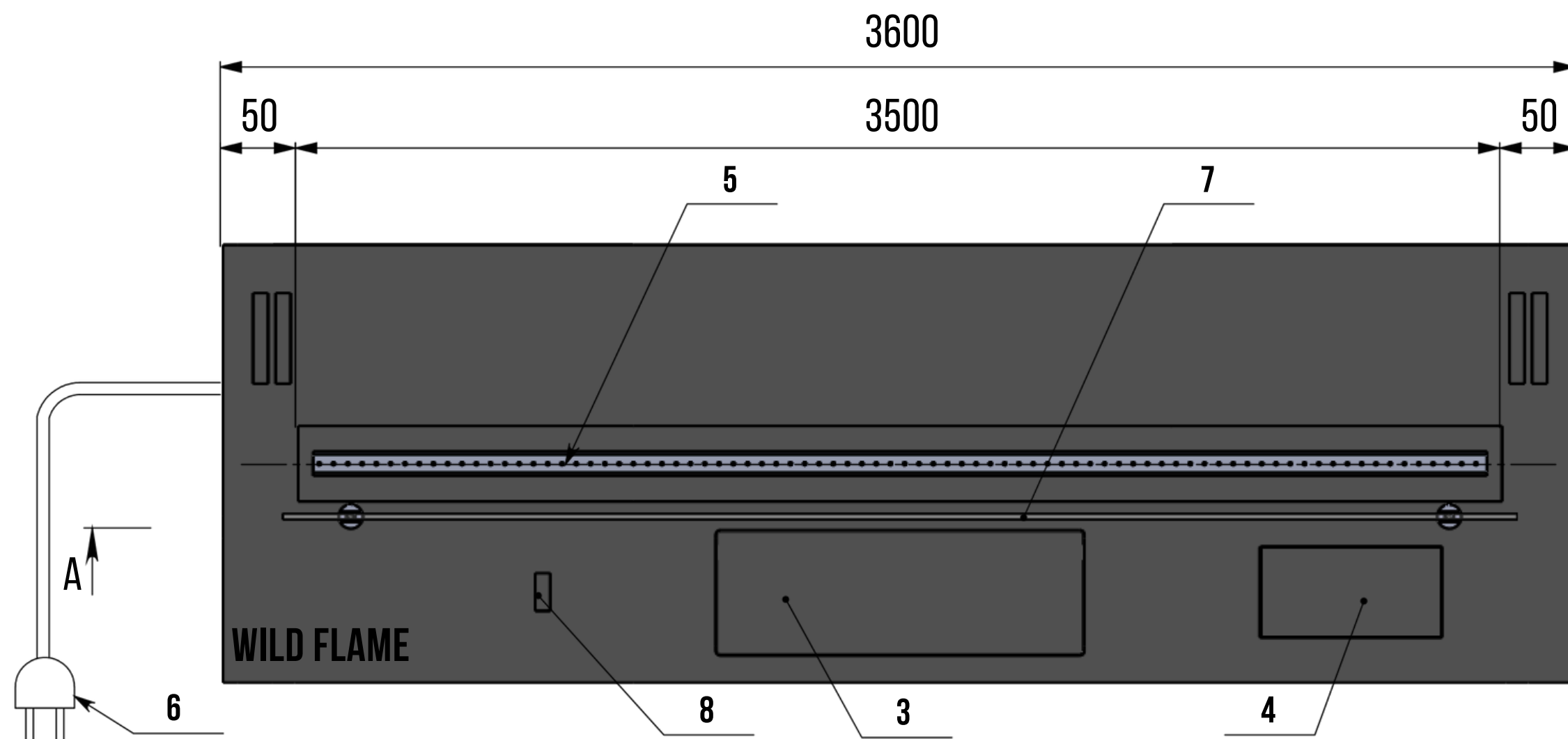
# SCHEME OF AUTOMATIC BIOFIREPLACE SMART FIRE A7 3600 MM

**FRONT VIEW**

**SIDE VIEW**



**TOP VIEW**



| NO: | NAMES   |
|-----|---|
| 1   | FRONT PANEL OF AUTOMATIC BIOFIREPLACE                           |
| 2   | DOUBLE - WALL HULL  |
| 3   | CONTROL PANEL COVER AND REFUELING                               |
| 4   | WIRELESS CHARGING SURFACE                                       |
| 5   | FIRE LINE   |
| 6   | POWER CABLE ( 220V )  |
| 7   | TEMPERED SAFETY GLASS   |
| 8   | SENSOR FOR OPENING THE COVER OF THE CONTROL PANEL AND REFUELING |

COLOUR: ACCORDING TO RAL SCALE \_\_\_\_\_  
 WEIGHT: 108 KG.

**SCHEME OF SMART FIRE A7**

**3600 X 290 X 194 MM**

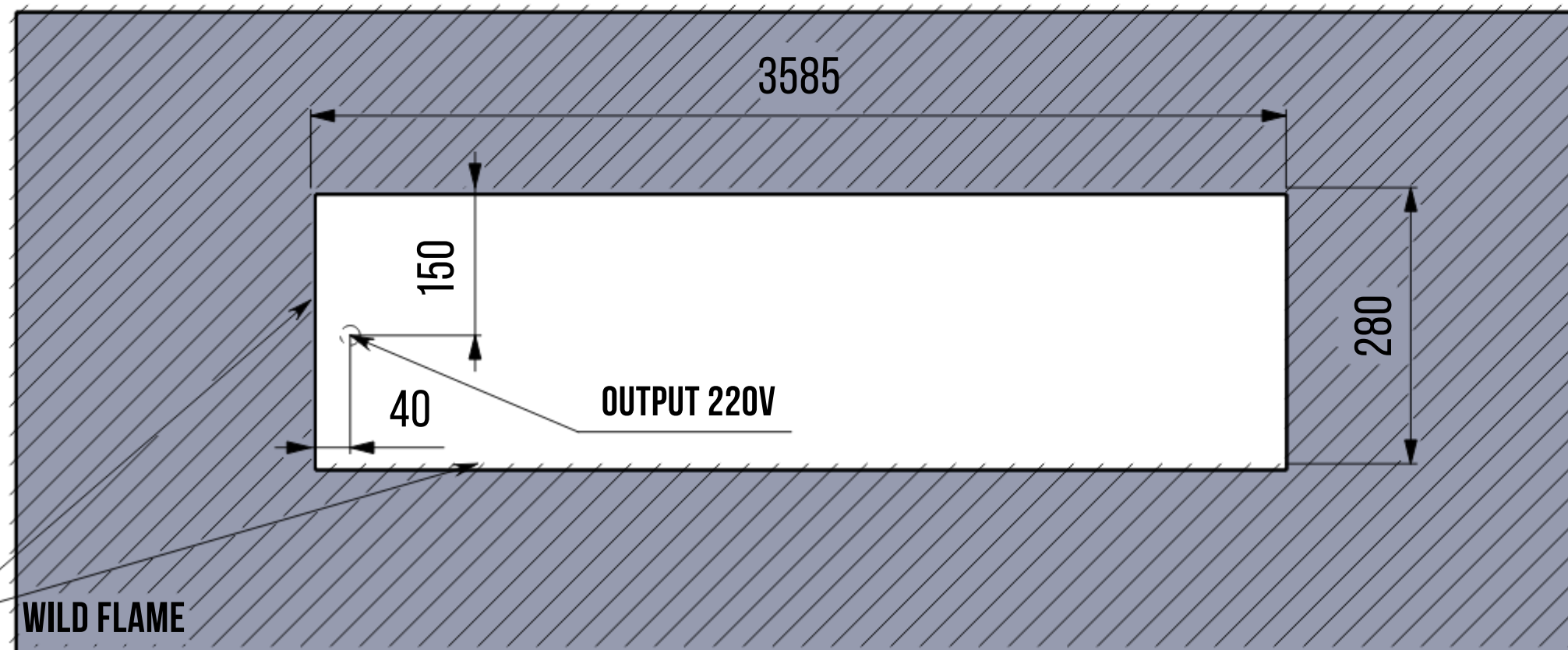
**WWW.WILDFLAME.NL**

**WILD FLAME**

**DUTCH MANUFACTURER**

# SCHEME OF NICHE FOR AN AUTOMATIC BIOFIREPLACE SMART FIRE A7 3600 MM ( OVERLAP )

**FRONT VIEW**



**NICHE DIMENSIONS FOR EMBEDDING THE FUEL BLOCK:**

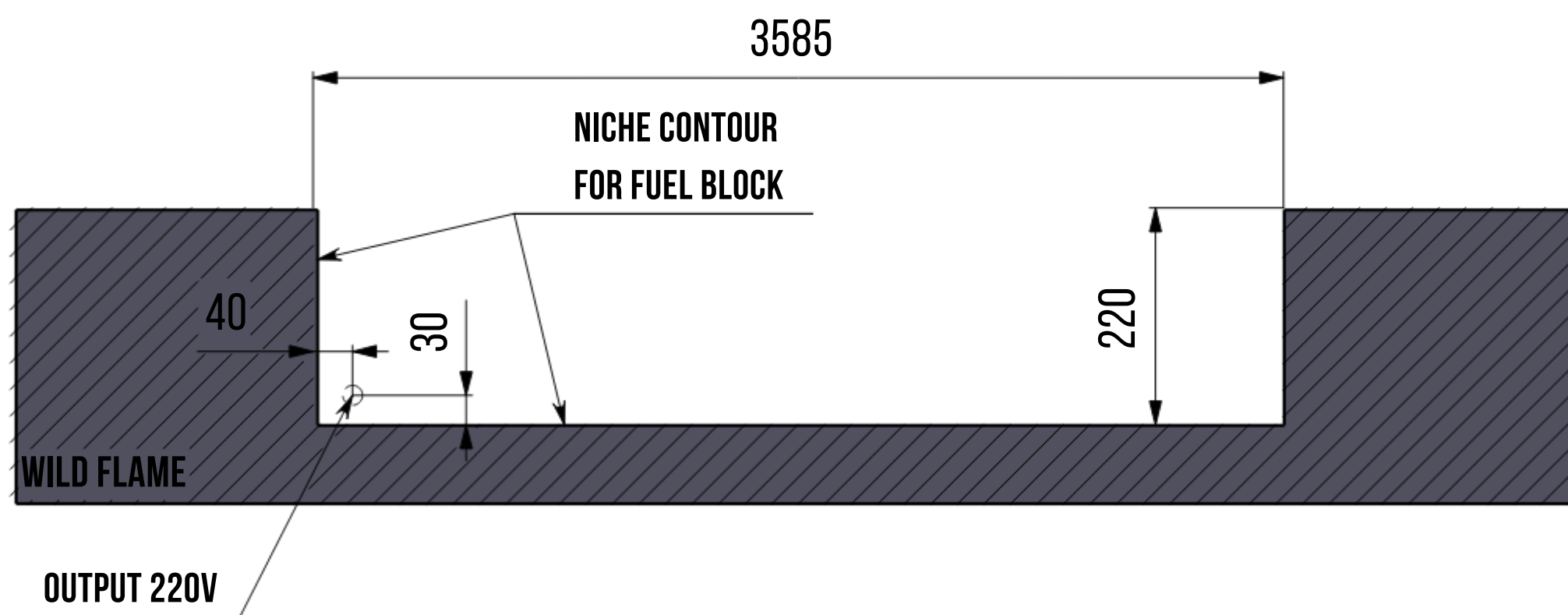
NICHE LENGTH - 3585 MM

NICHE WIDTH - 280 MM

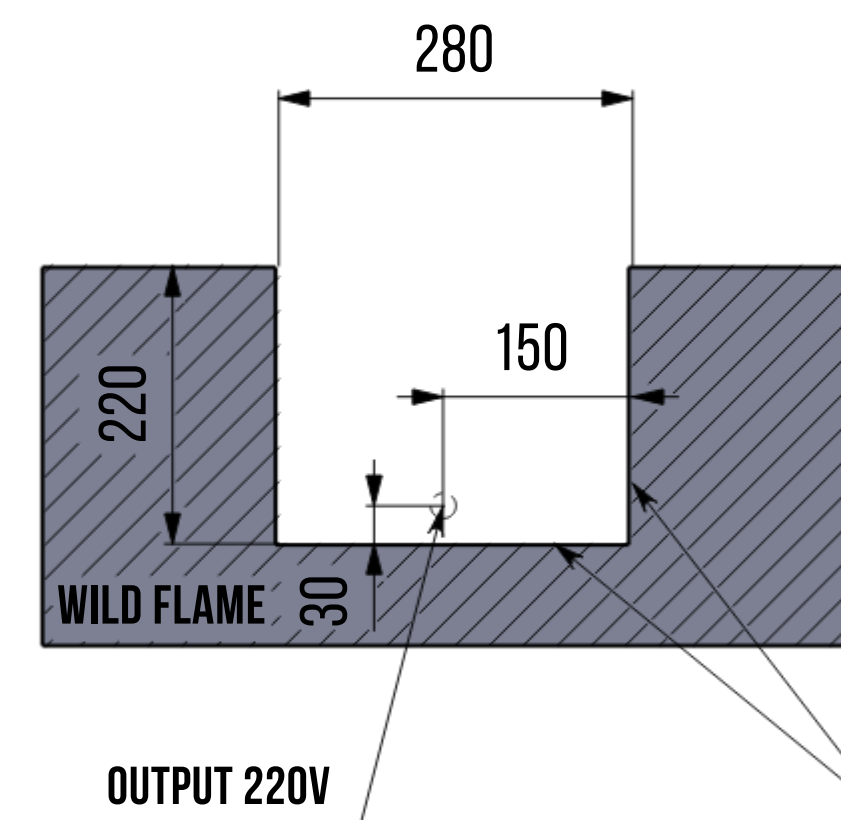
NICHE DEPTH - 220 MM



**TOP VIEW**



**SIDE VIEW**

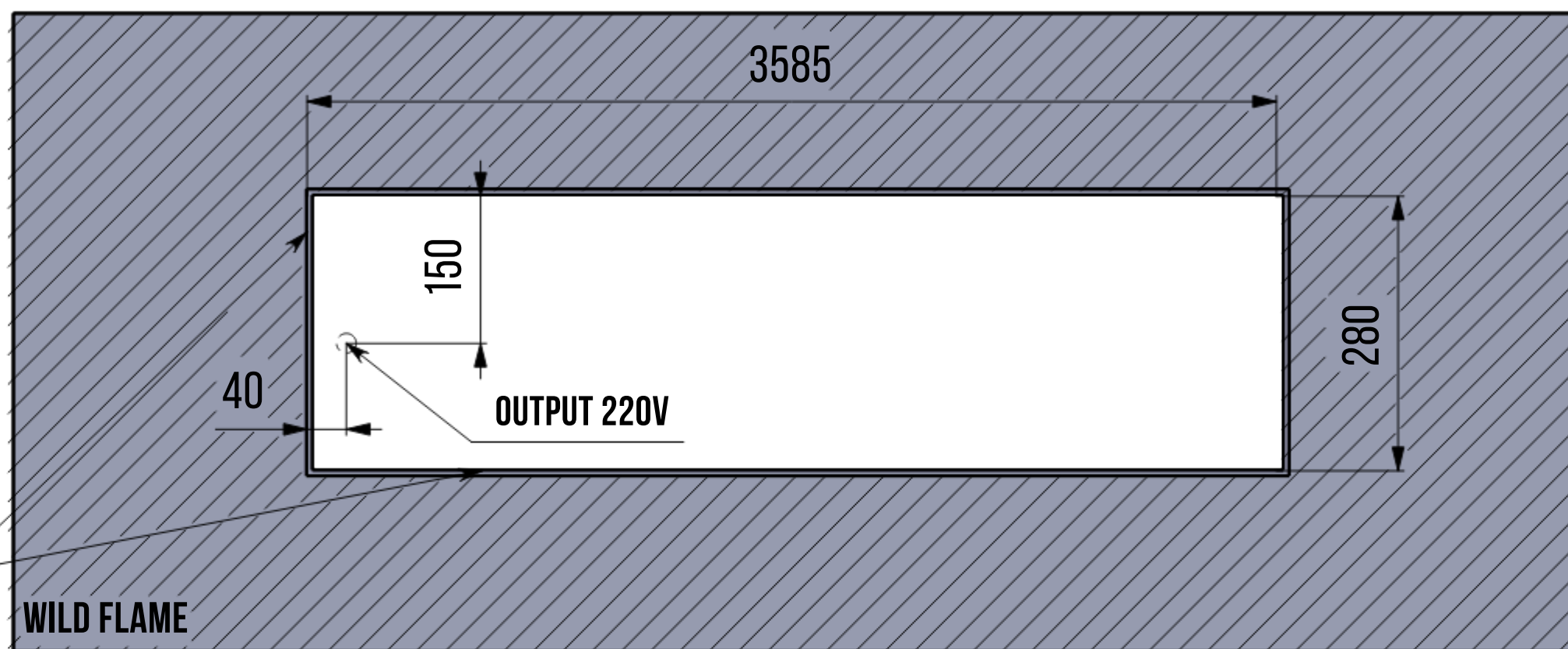


**WILD FLAME**

**DUTCH MANUFACTURER**

# SCHEME OF NICHE FOR AN AUTOMATIC BIOFIREPLACE SMART FIRE A7 3600 MM ( FLUSH - MOUNTED )

**FRONT VIEW**



**NICHE DIMENSIONS FOR EMBEDDING THE BIOFIREPLACE:**

NICHE LENGTH - 3585 MM

NICHE WIDTH - 280 MM

NICHE DEPTH - 220 MM

**DIMENSIONS OF THE SEAT FOR THE FRONT PANEL OF THE BIOFIREPLACE:**

NICHE LENGTH - 3602 MM

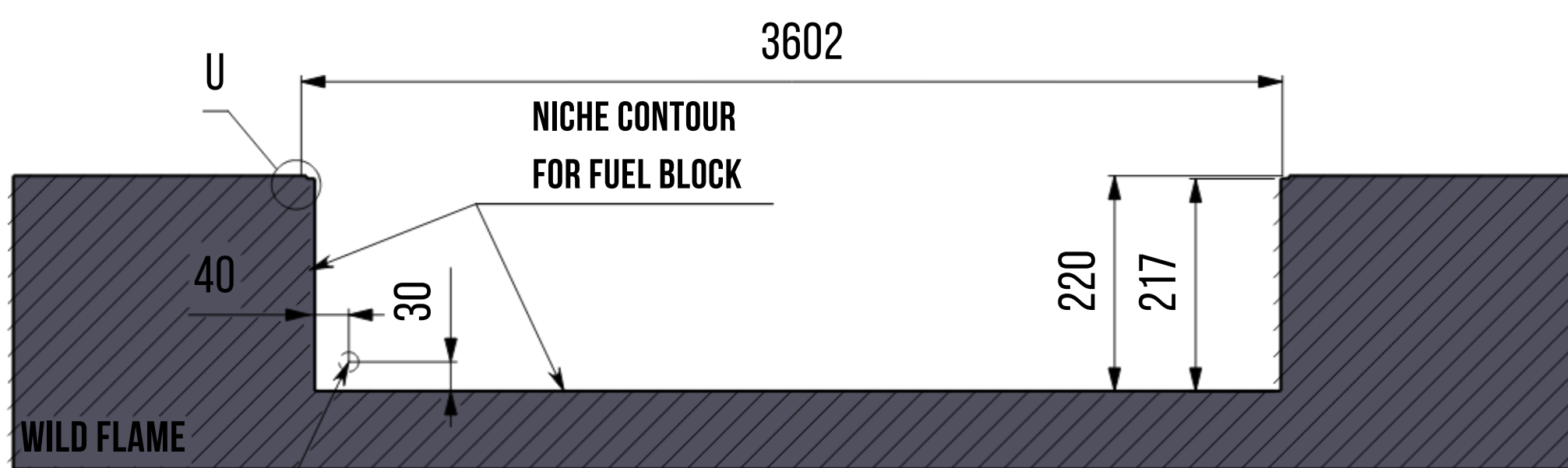
NICHE WIDTH - 292 MM

NICHE DEPTH - 3 MM

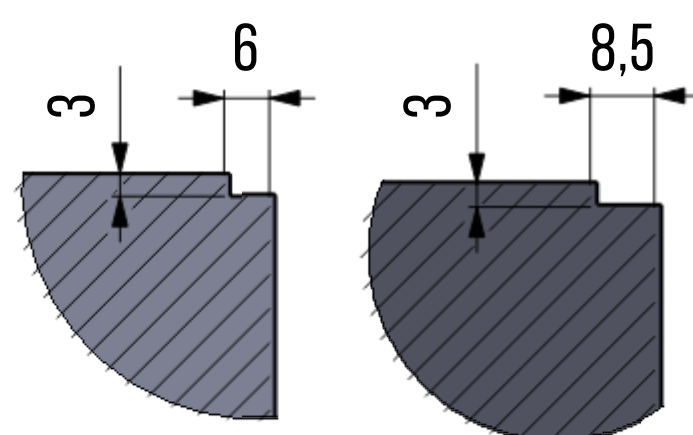
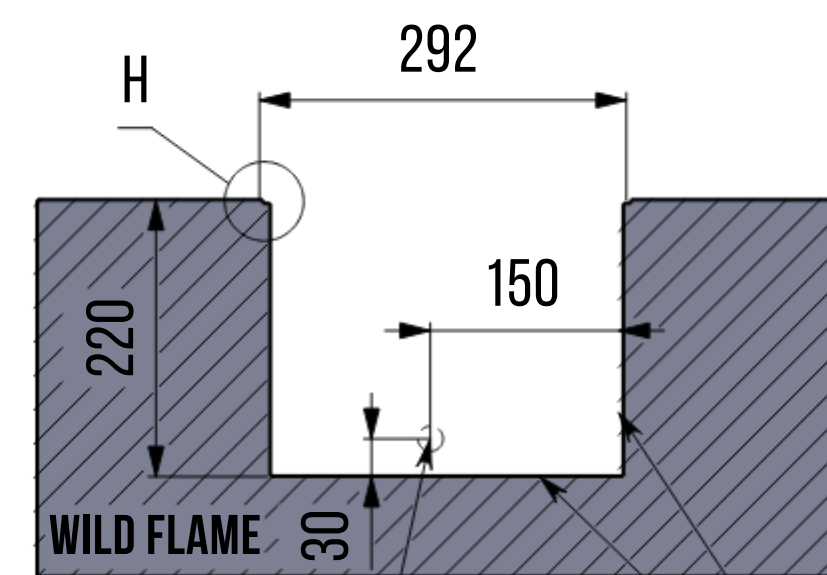


NICHE CONTOUR FOR FUEL BLOCK

**TOP VIEW**



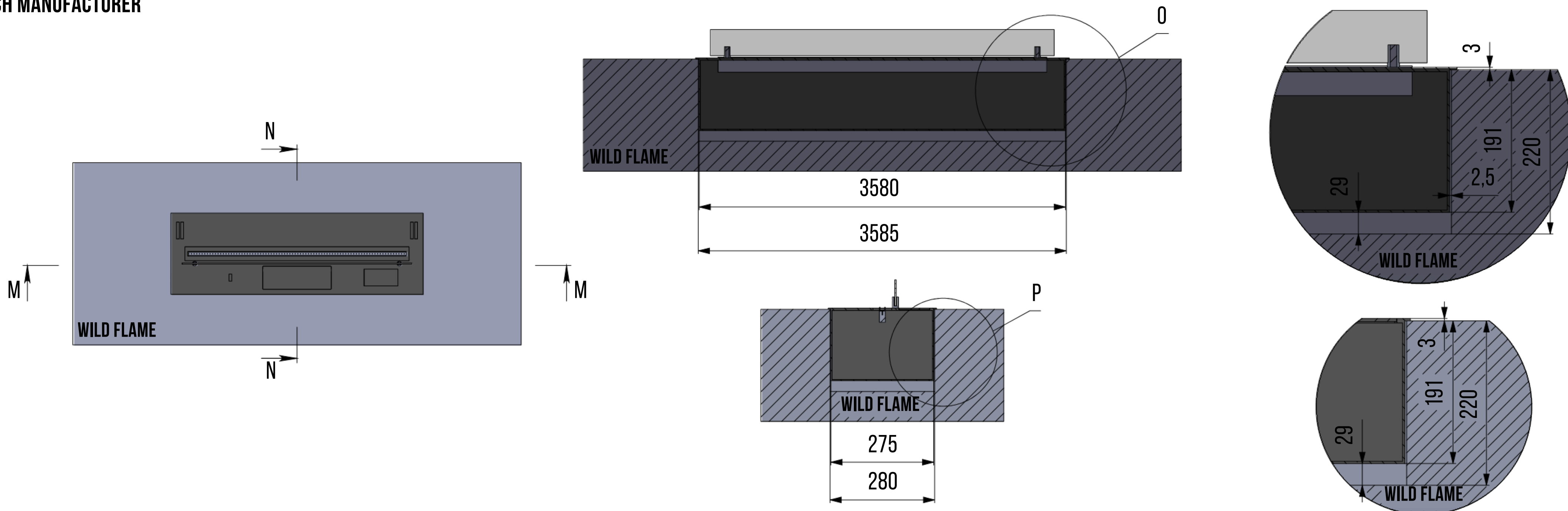
**SIDE VIEW**



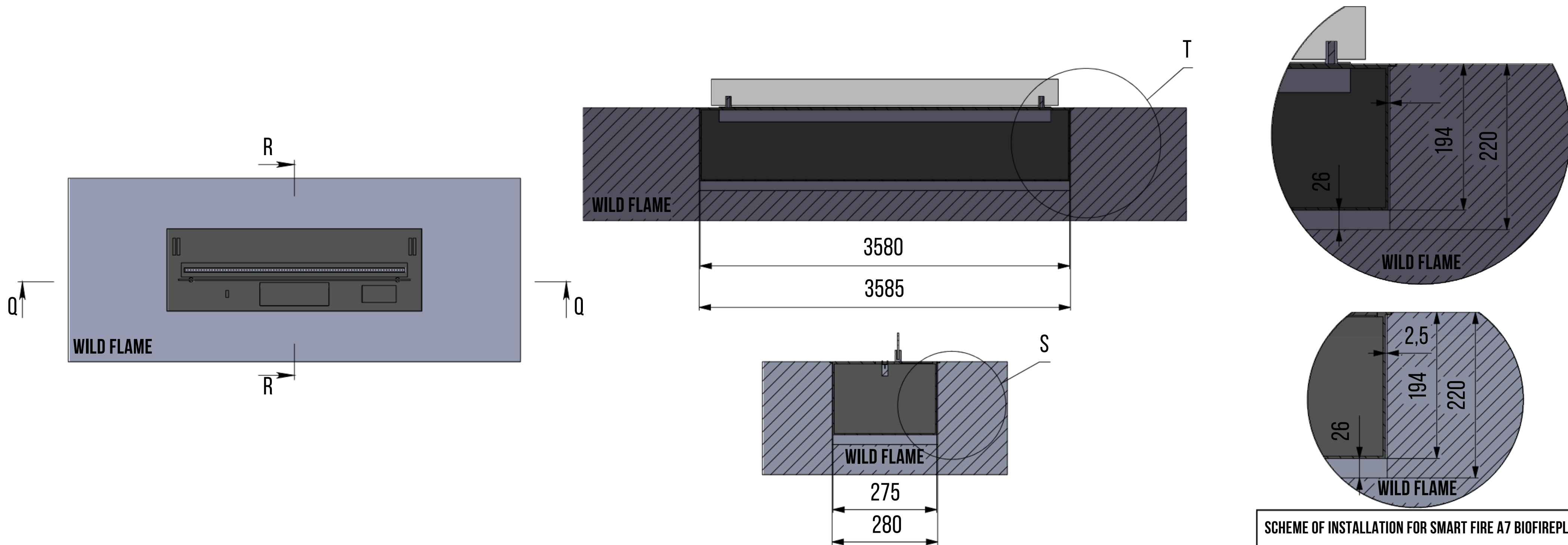
**WILD FLAME**

**DUTCH MANUFACTURER**

### SCHEME OF INSTALLATION OF AN AUTOMATIC BIOFIREPLACE SMART FIRE A7 3600 MM IN A NICHE ( OVERLAP )



### SCHEME OF INSTALLATION OF AN AUTOMATIC BIOFIREPLACE SMART FIRE A7 3600 MM IN A NICHE ( FLUSH - MOUNTED )



SCHEME OF INSTALLATION FOR SMART FIRE A7 BIOFIREPLACE