

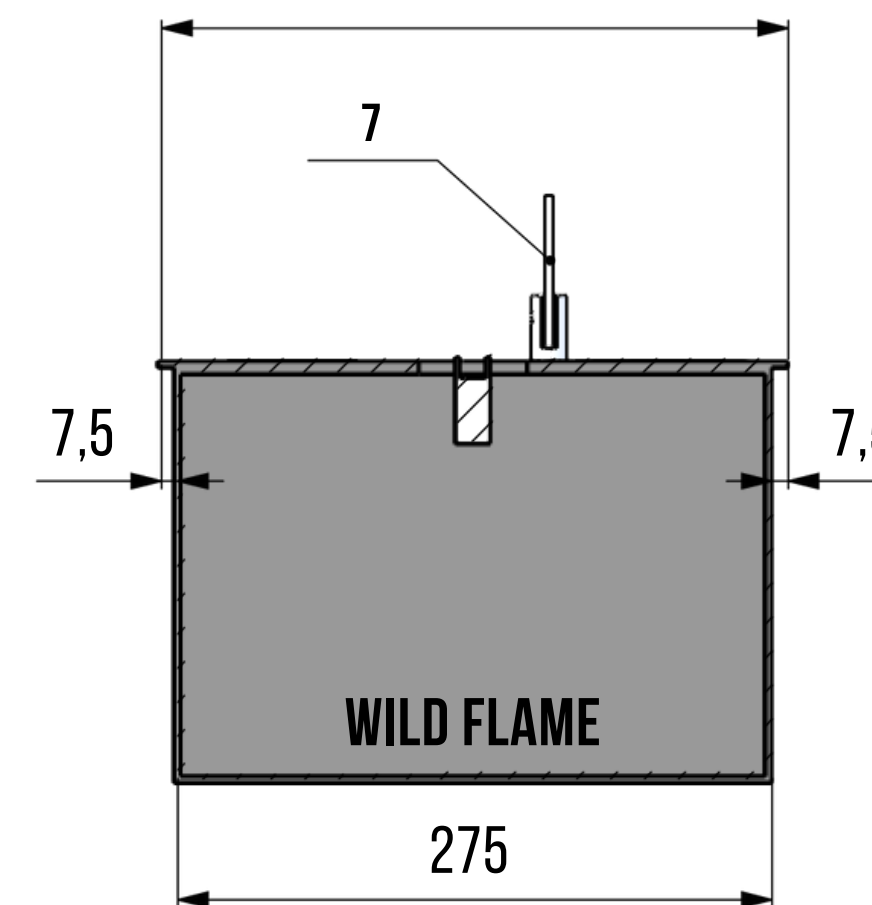
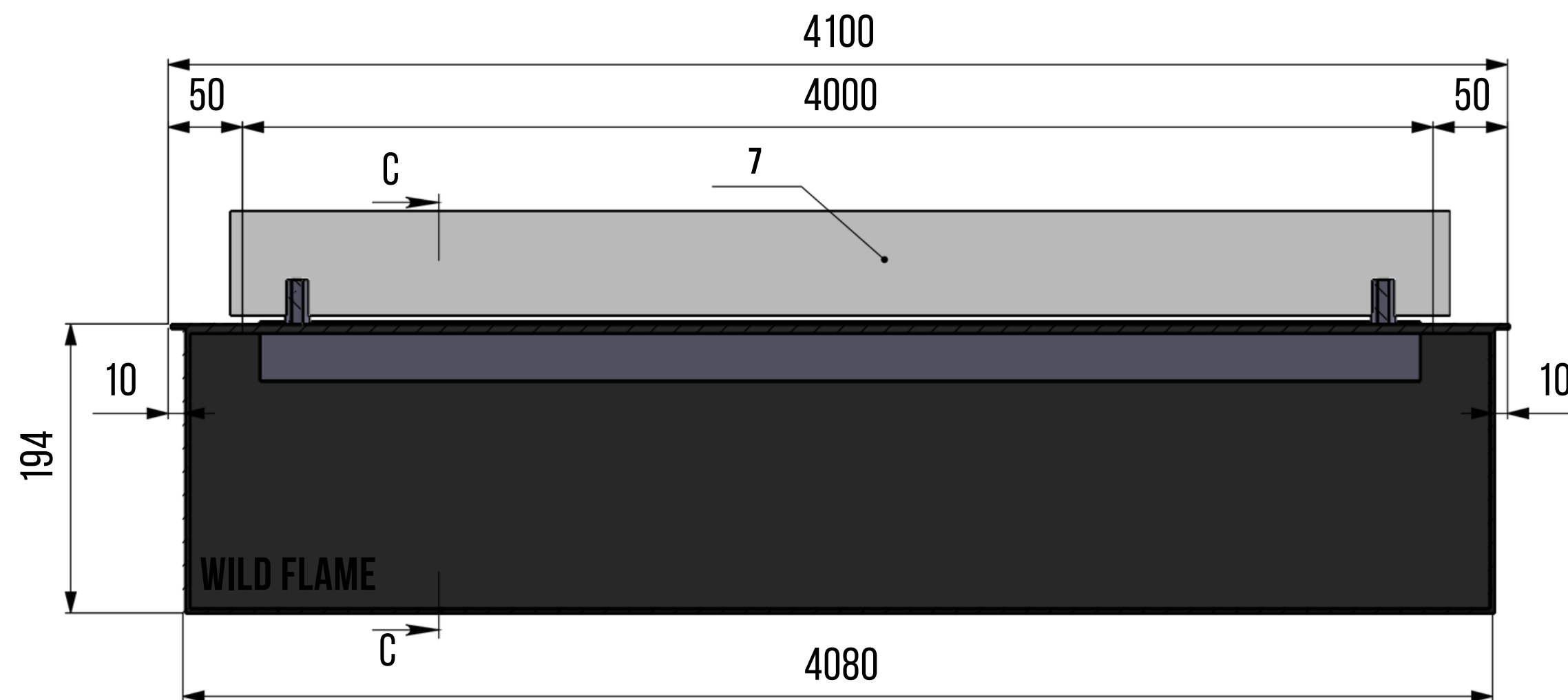
WILD FLAME

DUTCH MANUFACTURER

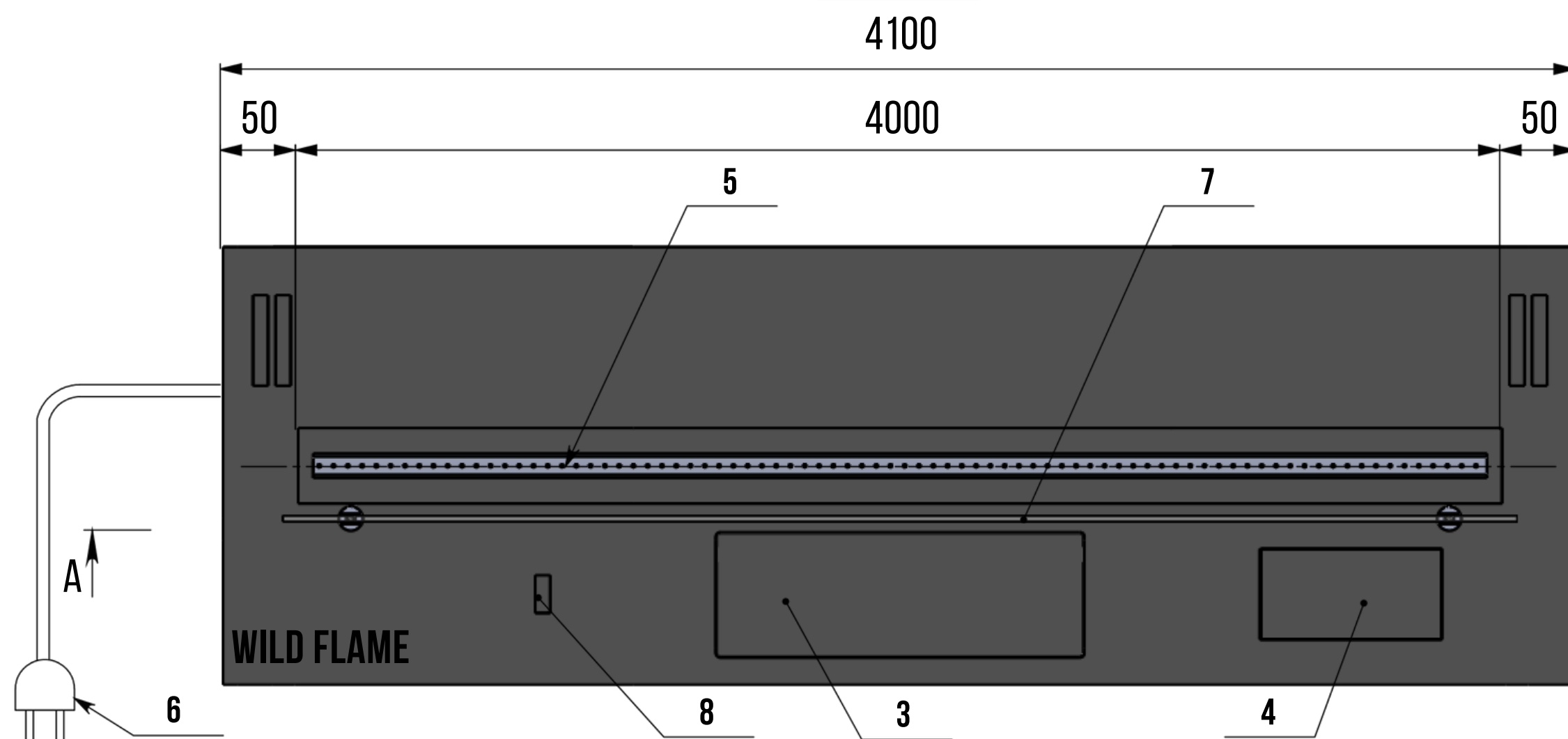
SCHEME OF AUTOMATIC BIOFIREPLACE SMART FIRE A7 4100 MM

FRONT VIEW

SIDE VIEW



TOP VIEW



NO:	NAMES
1	FRONT PANEL OF AUTOMATIC BIOFIREPLACE
2	DOUBLE - WALL HULL
3	CONTROL PANEL COVER AND REFUELING
4	WIRELESS CHARGING SURFACE
5	FIRE LINE
6	POWER CABLE (220V)
7	TEMPERED SAFETY GLASS
8	SENSOR FOR OPENING THE COVER OF THE CONTROL PANEL AND REFUELING

COLOUR: ACCORDING TO RAL SCALE _____
 WEIGHT: 124 KG.

SCHEME OF SMART FIRE A7

4100 X 290 X 194 MM

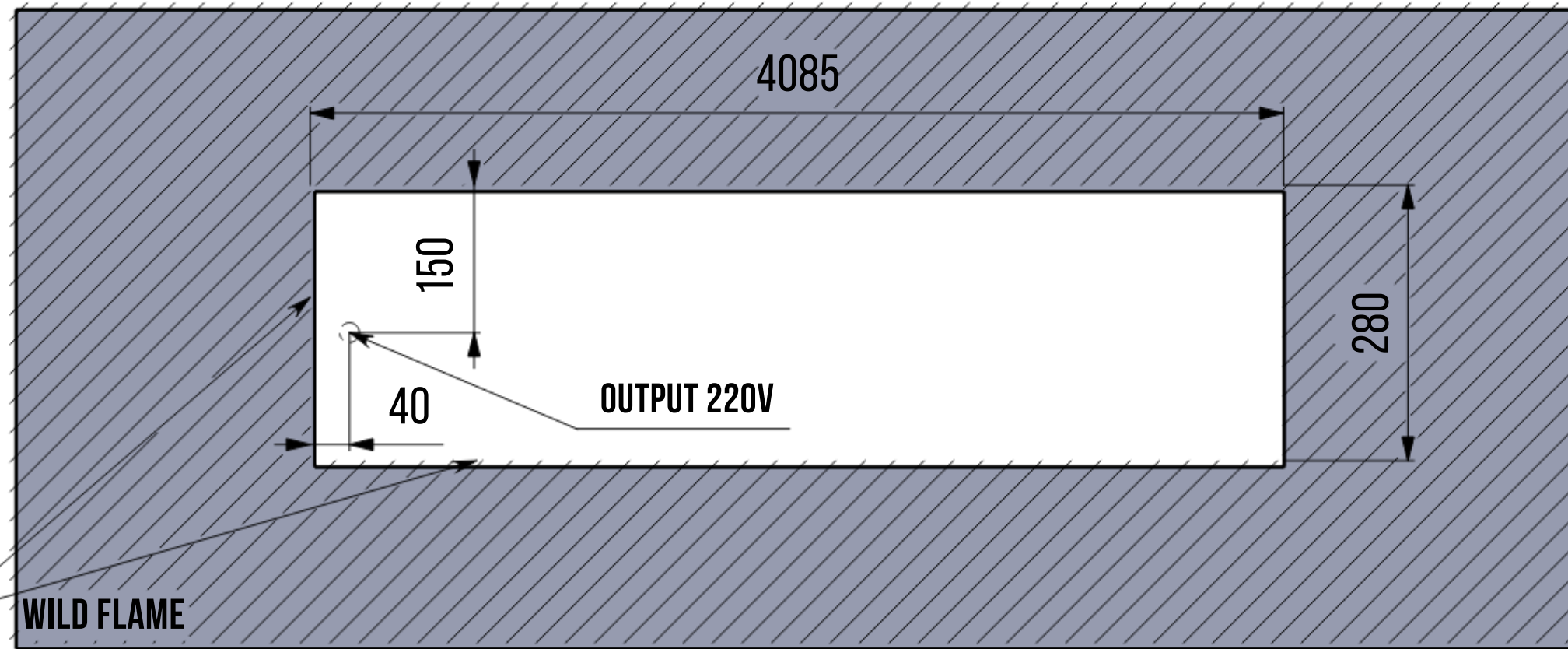
WWW.WILDFLAME.NL

WILD FLAME

DUTCH MANUFACTURER

SCHEME OF NICHE FOR AN AUTOMATIC BIOFIREPLACE SMART FIRE A7 4100 MM (OVERLAP)

FRONT VIEW

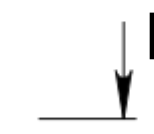


NICHE DIMENSIONS FOR EMBEDDING THE FUEL BLOCK:

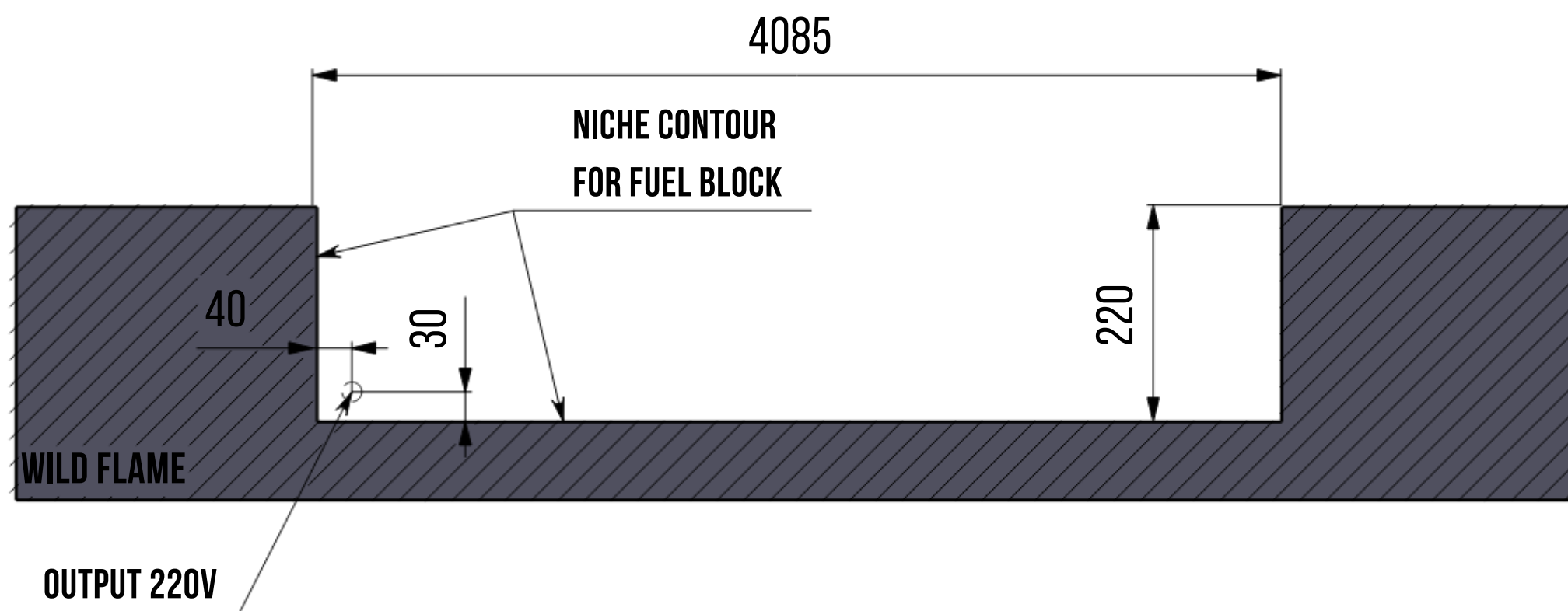
NICHE LENGTH - 4085 MM

NICHE WIDTH - 280 MM

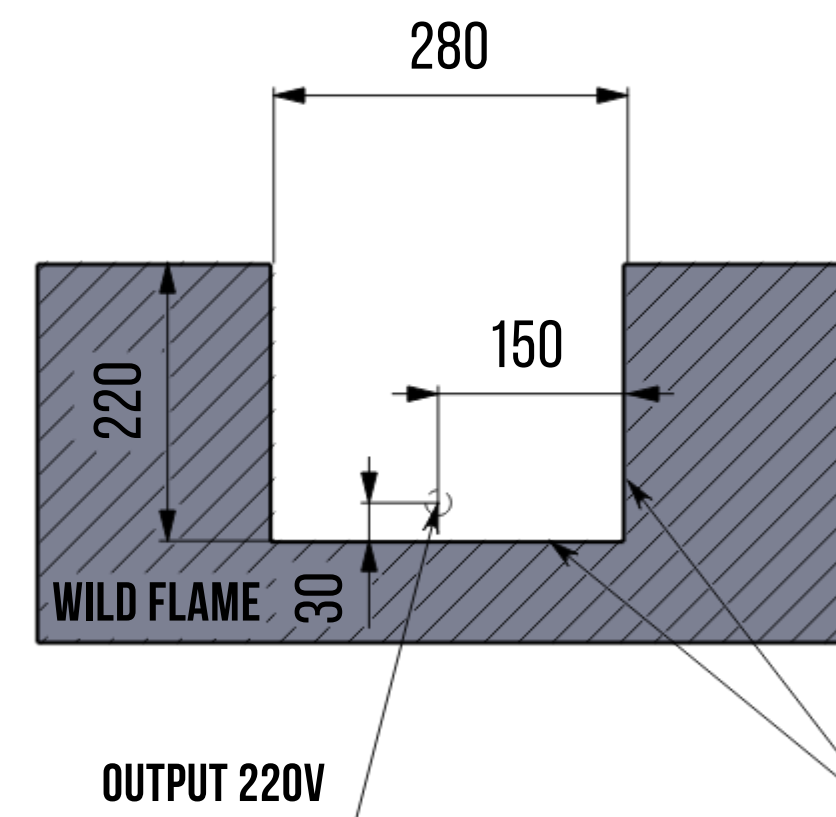
NICHE DEPTH - 220 MM



TOP VIEW



SIDE VIEW

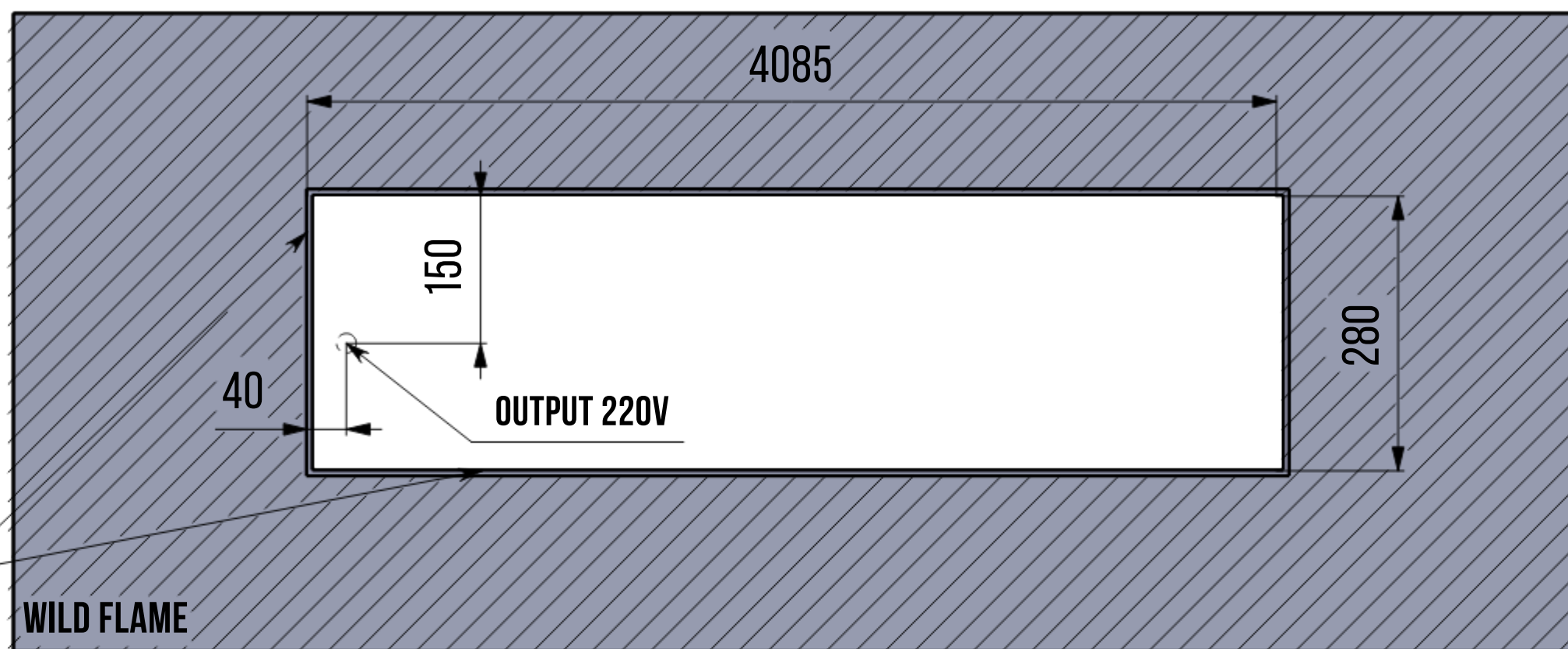


WILD FLAME

DUTCH MANUFACTURER

SCHEME OF NICHE FOR AN AUTOMATIC BIOFIREPLACE SMART FIRE A7 4100 MM (FLUSH - MOUNTED)

FRONT VIEW



NICHE DIMENSIONS FOR EMBEDDING THE BIOFIREPLACE:

NICHE LENGTH - 4085 MM

NICHE WIDTH - 280 MM

NICHE DEPTH - 220 MM

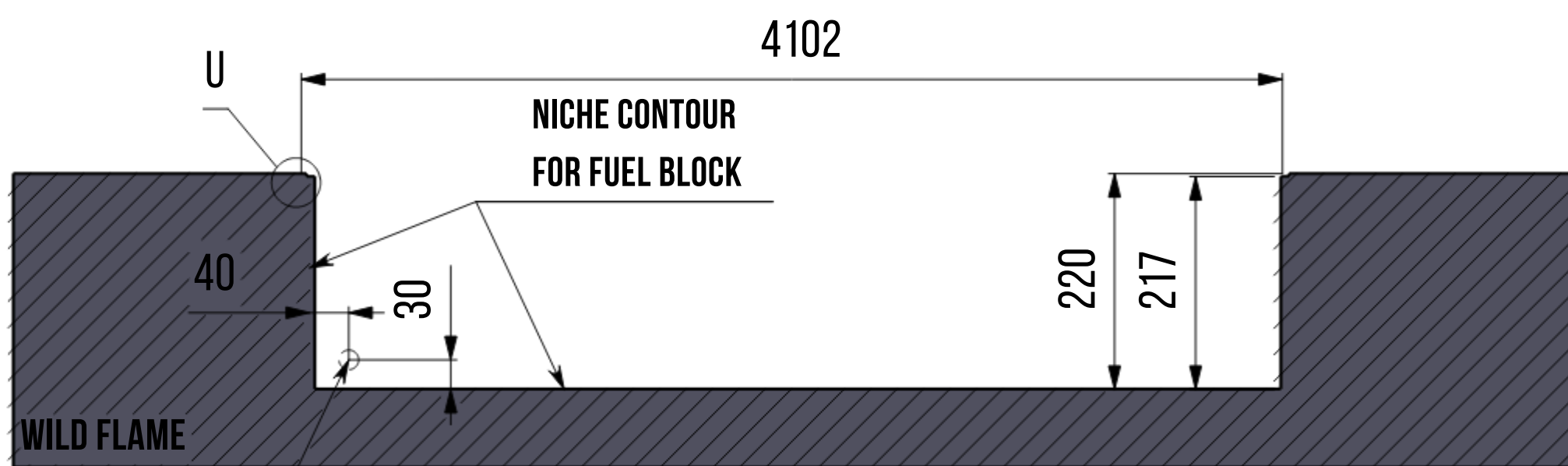
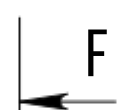
DIMENSIONS OF THE SEAT FOR THE FRONT PANEL OF THE BIOFIREPLACE:

NICHE LENGTH - 4102 MM

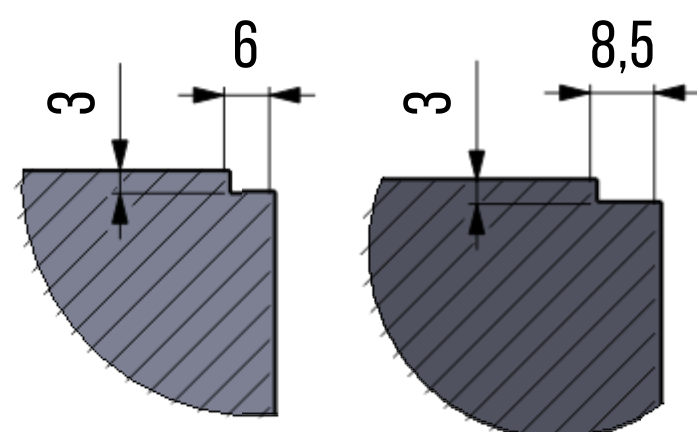
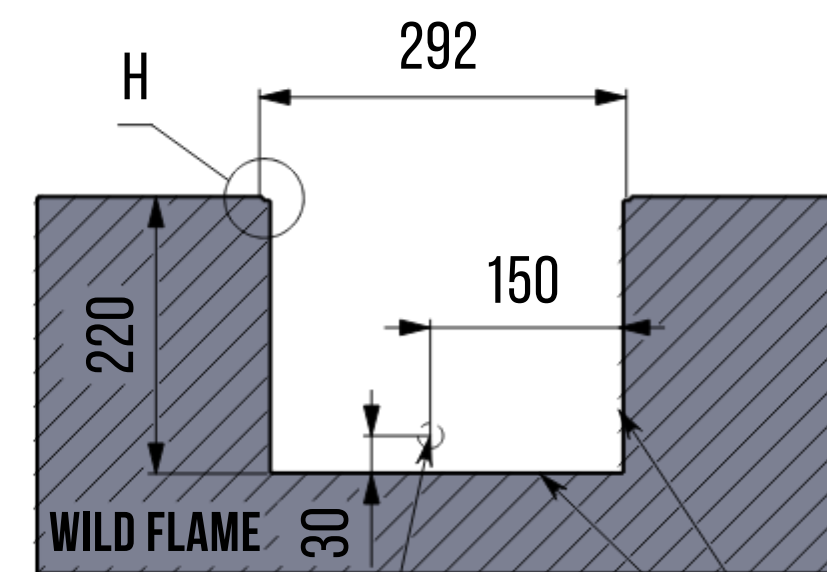
NICHE WIDTH - 292 MM

NICHE DEPTH - 3 MM

TOP VIEW



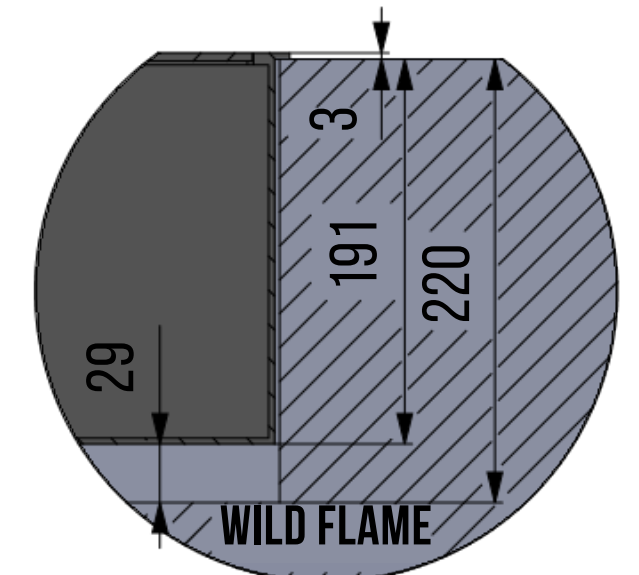
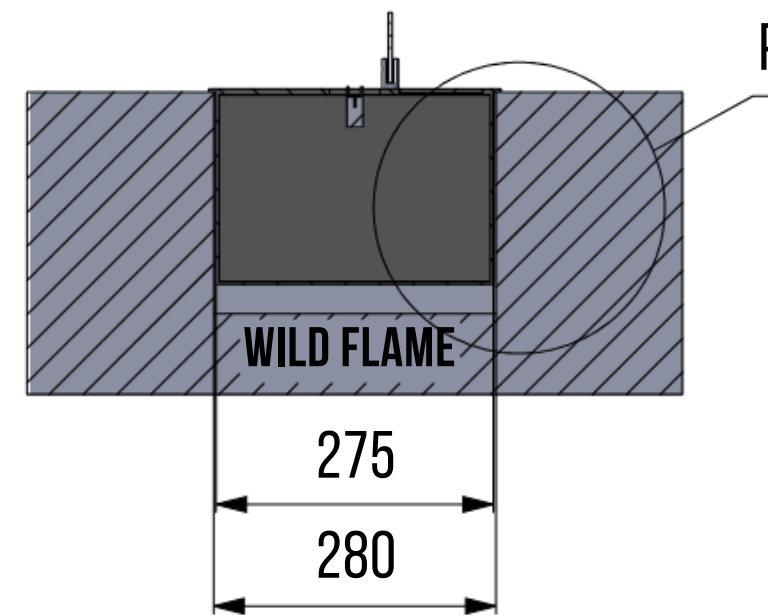
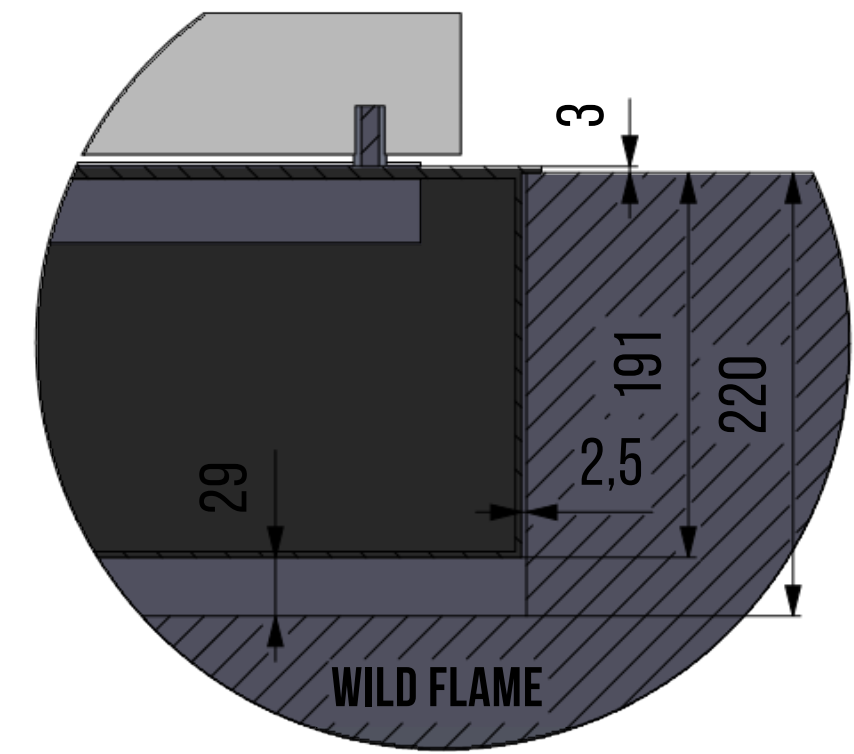
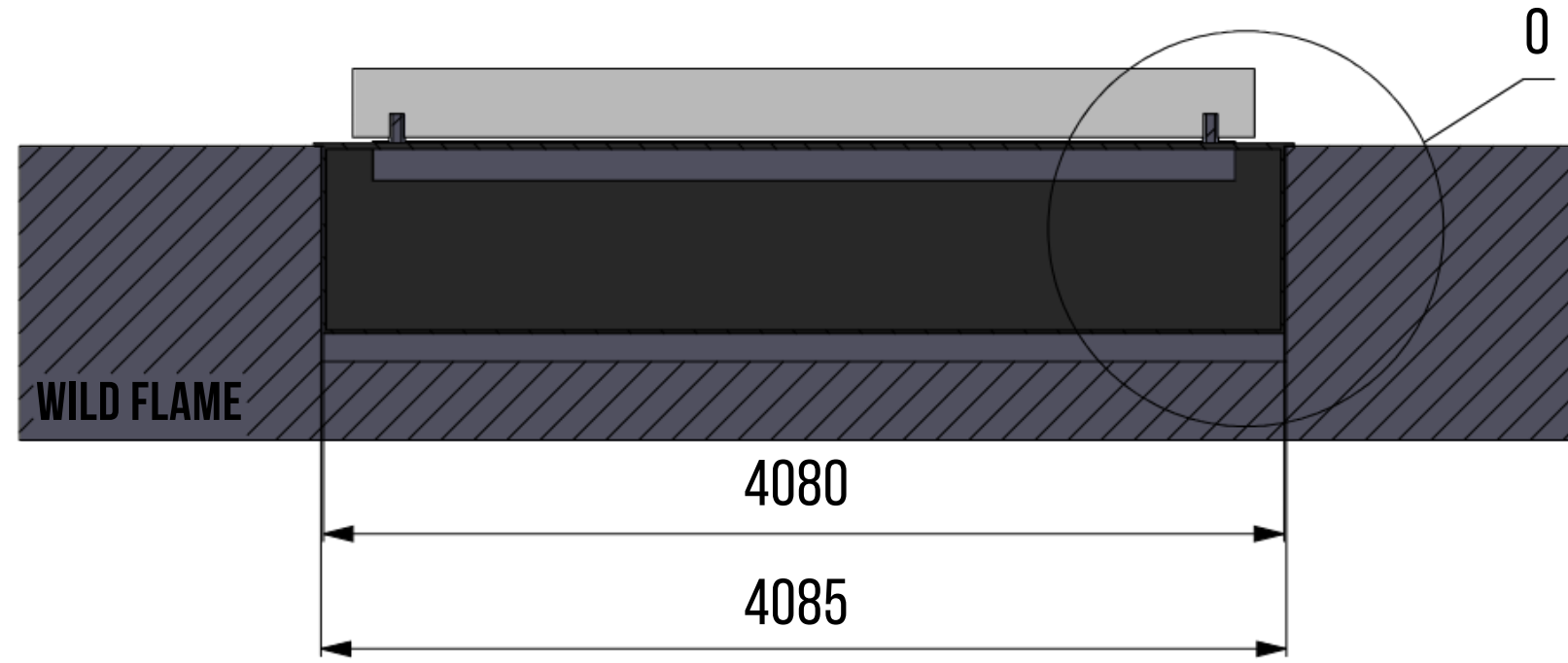
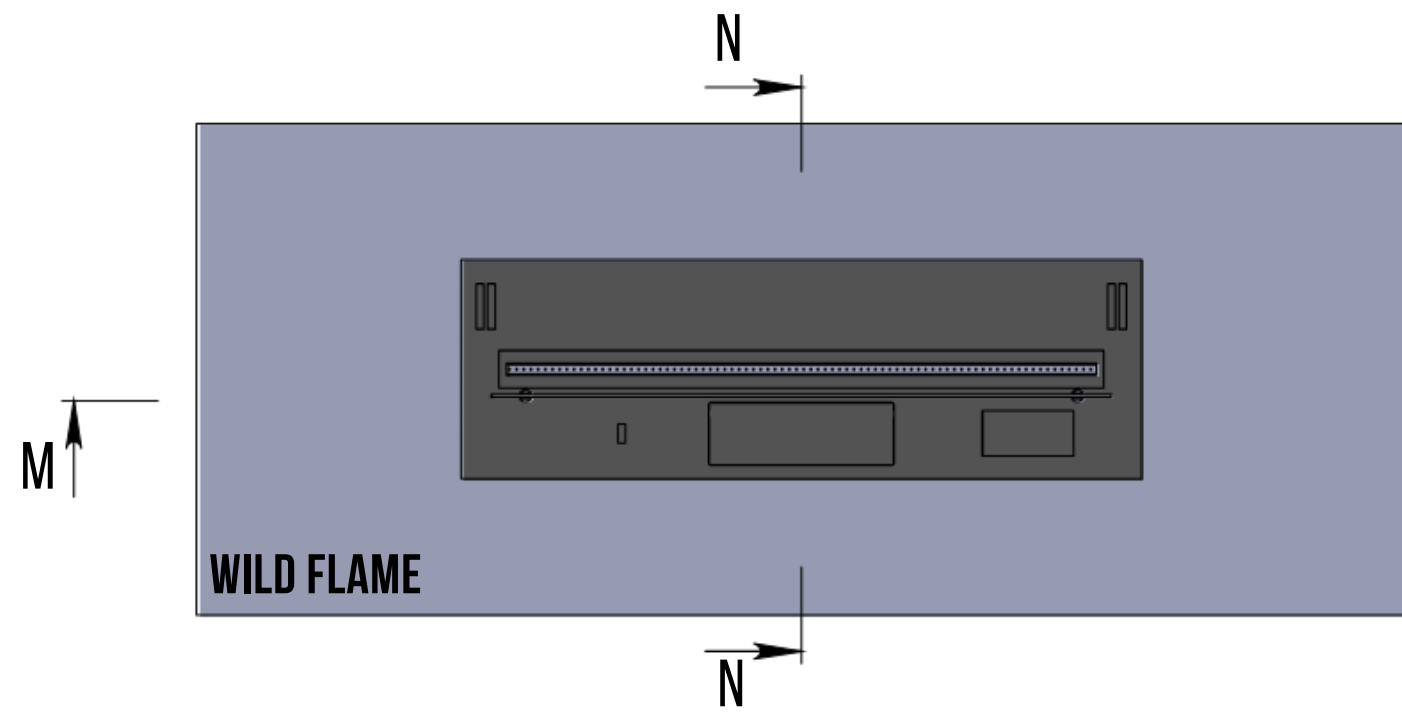
SIDE VIEW



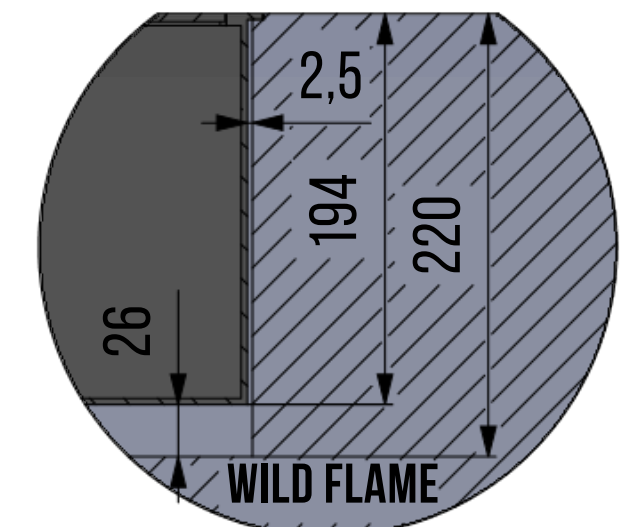
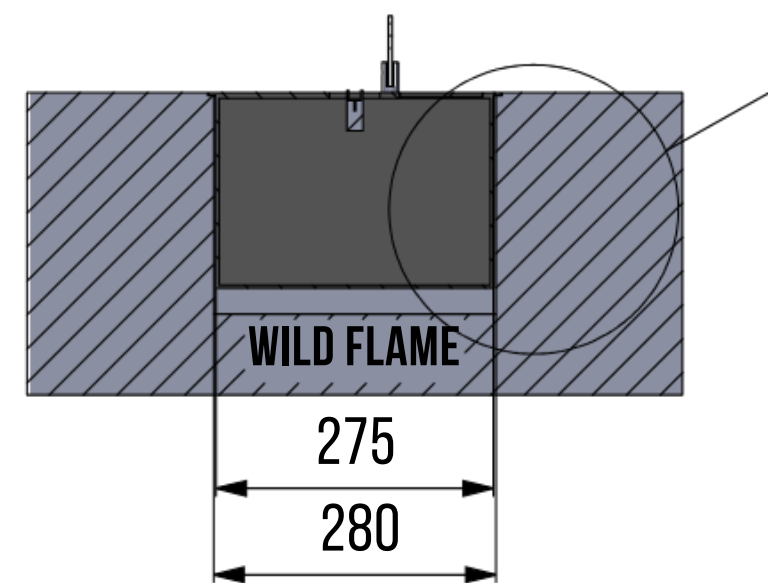
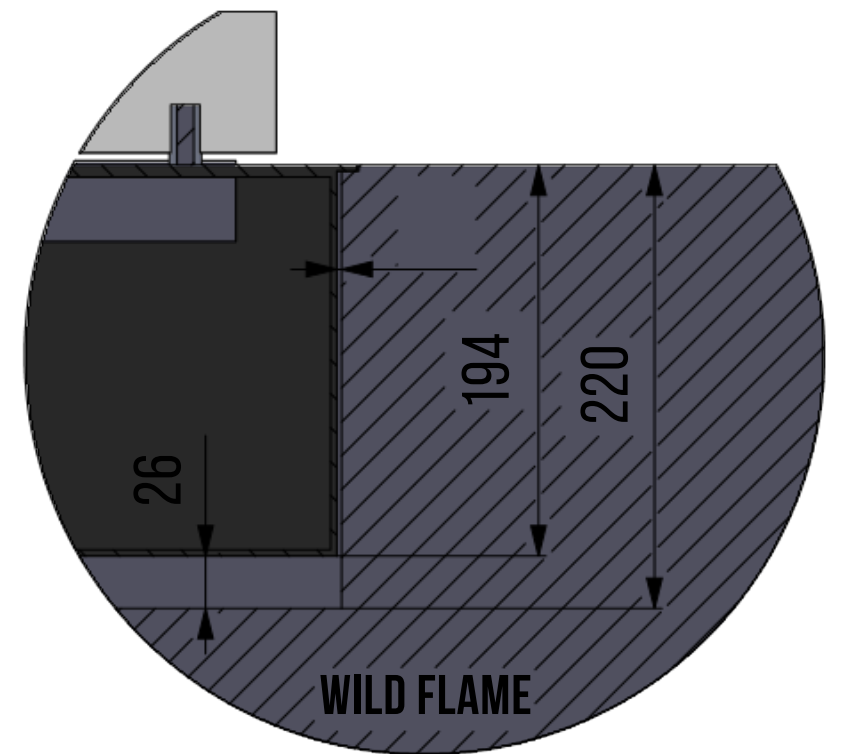
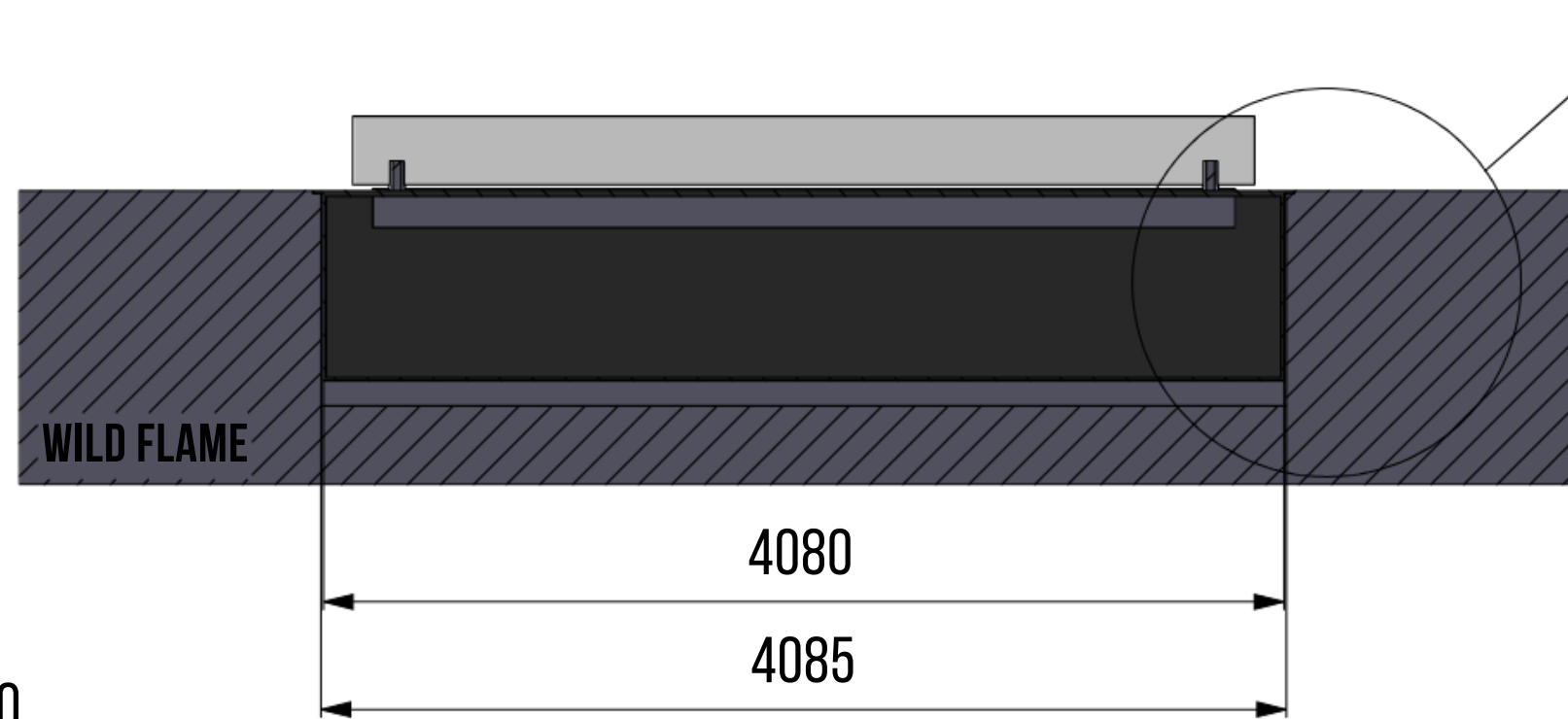
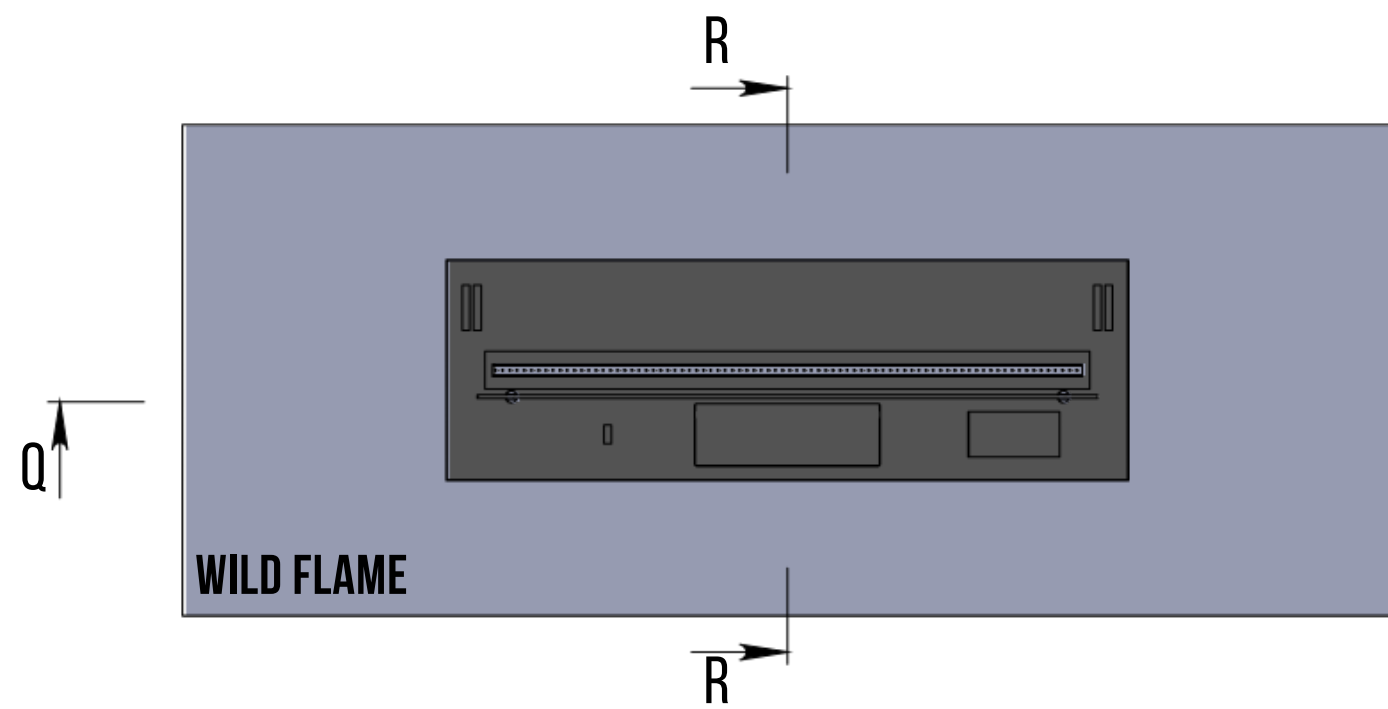
WILD FLAME

SCHEME OF INSTALLATION OF AN AUTOMATIC BIOFIREPLACE SMART FIRE A7 4100 MM IN A NICHE (OVERLAP)

DUTCH MANUFACTURER



SCHEME OF INSTALLATION OF AN AUTOMATIC BIOFIREPLACE SMART FIRE A7 4100 MM IN A NICHE (FLUSH - MOUNTED)



SCHEME OF INSTALLATION FOR SMART FIRE A7 BIOFIREPLACE