

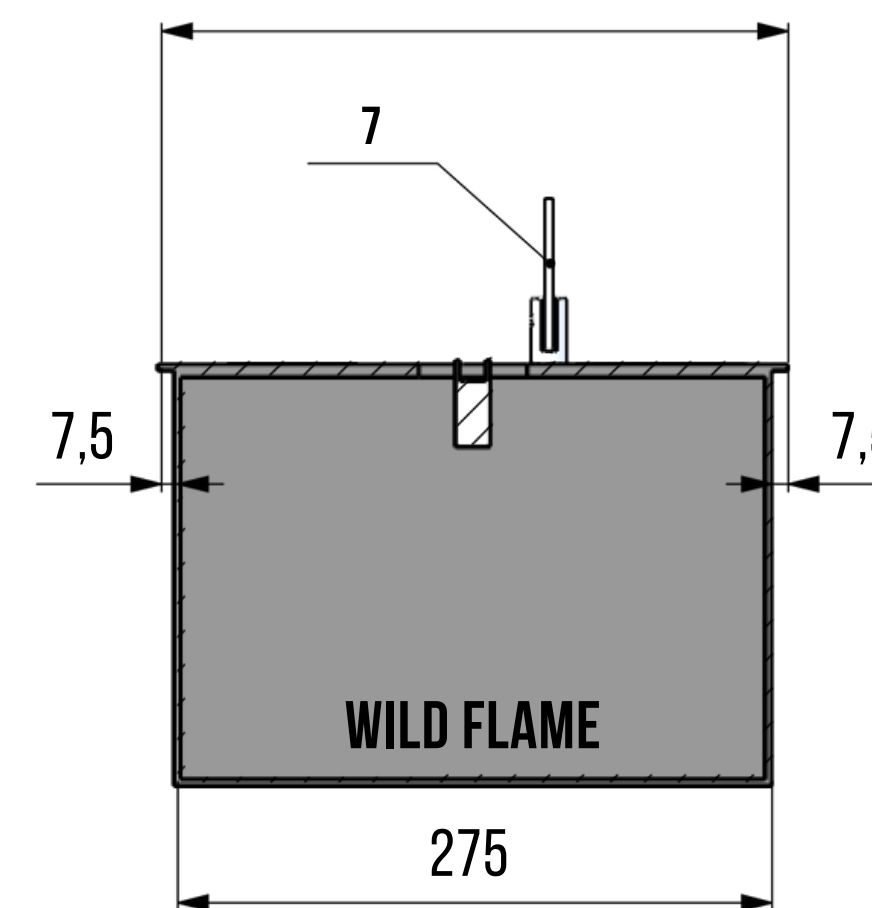
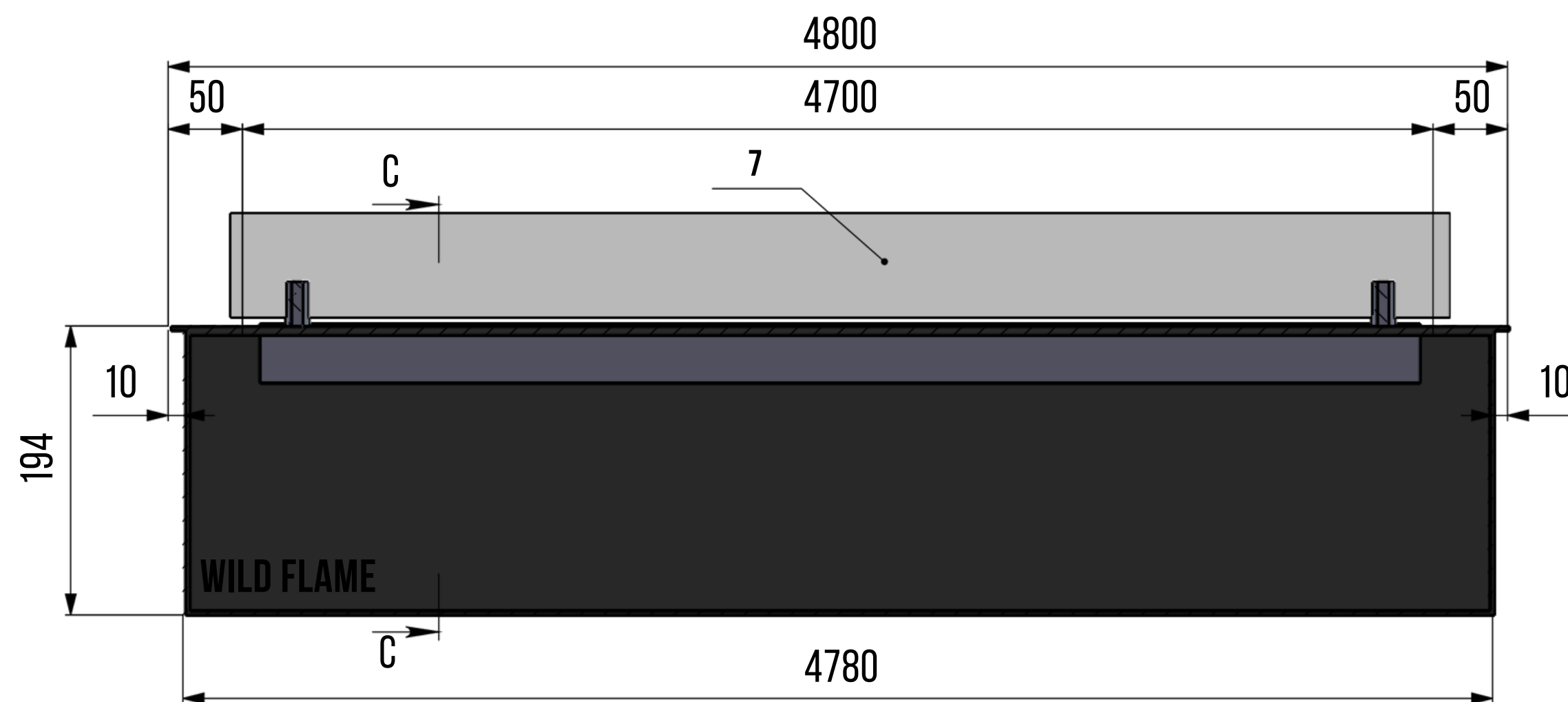
WILD FLAME

DUTCH MANUFACTURER

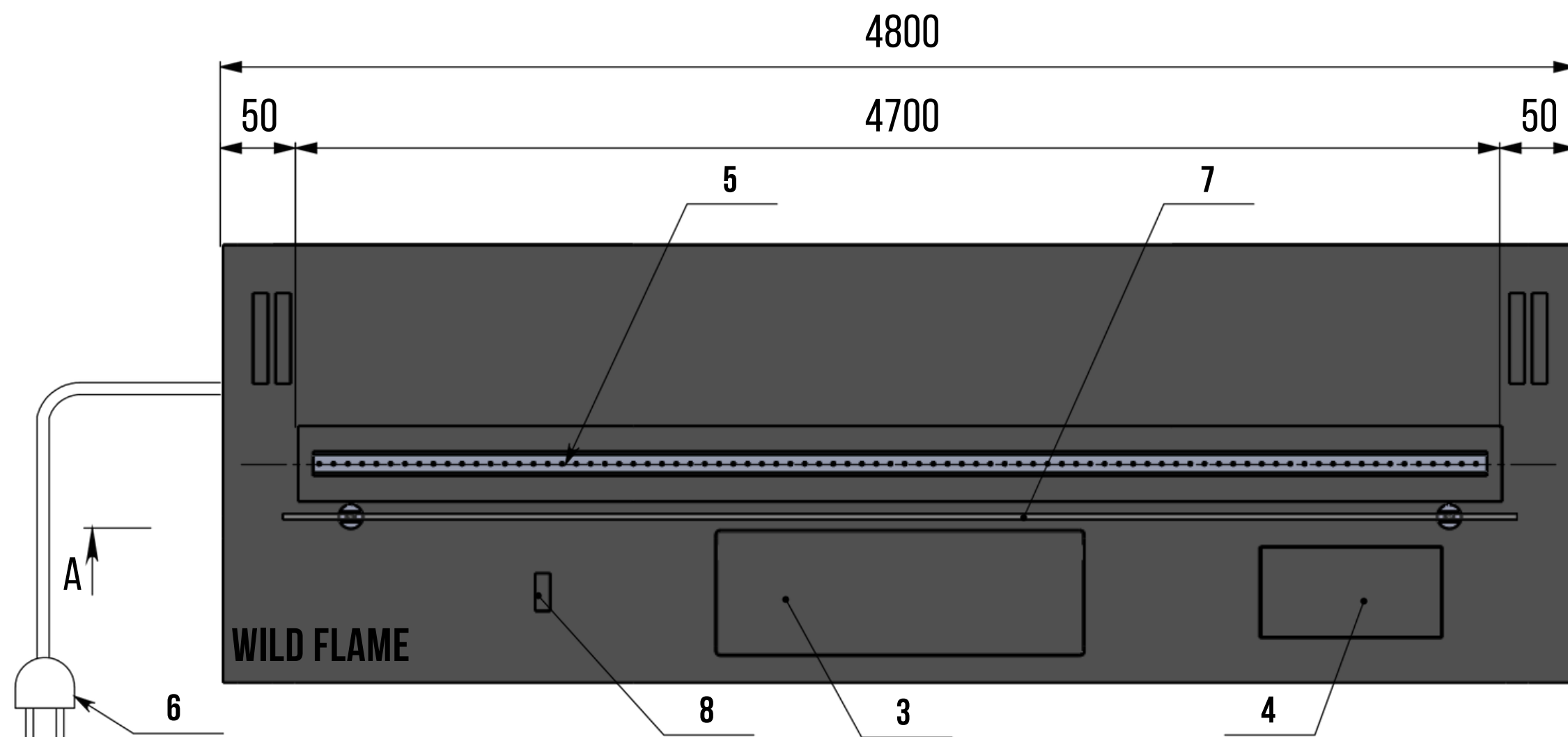
SCHEME OF AUTOMATIC BIOFIREPLACE SMART FIRE A7 4800 MM

FRONT VIEW

SIDE VIEW



TOP VIEW



| NO: | NAMES |
|-----|---|
| 1 | FRONT PANEL OF AUTOMATIC BIOFIREPLACE |
| 2 | DOUBLE - WALL HULL |
| 3 | CONTROL PANEL COVER AND REFUELING |
| 4 | WIRELESS CHARGING SURFACE |
| 5 | FIRE LINE |
| 6 | POWER CABLE (220V) |
| 7 | TEMPERED SAFETY GLASS |
| 8 | SENSOR FOR OPENING THE COVER OF THE CONTROL PANEL AND REFUELING |

COLOUR: ACCORDING TO RAL SCALE _____
WEIGHT: 148 KG.

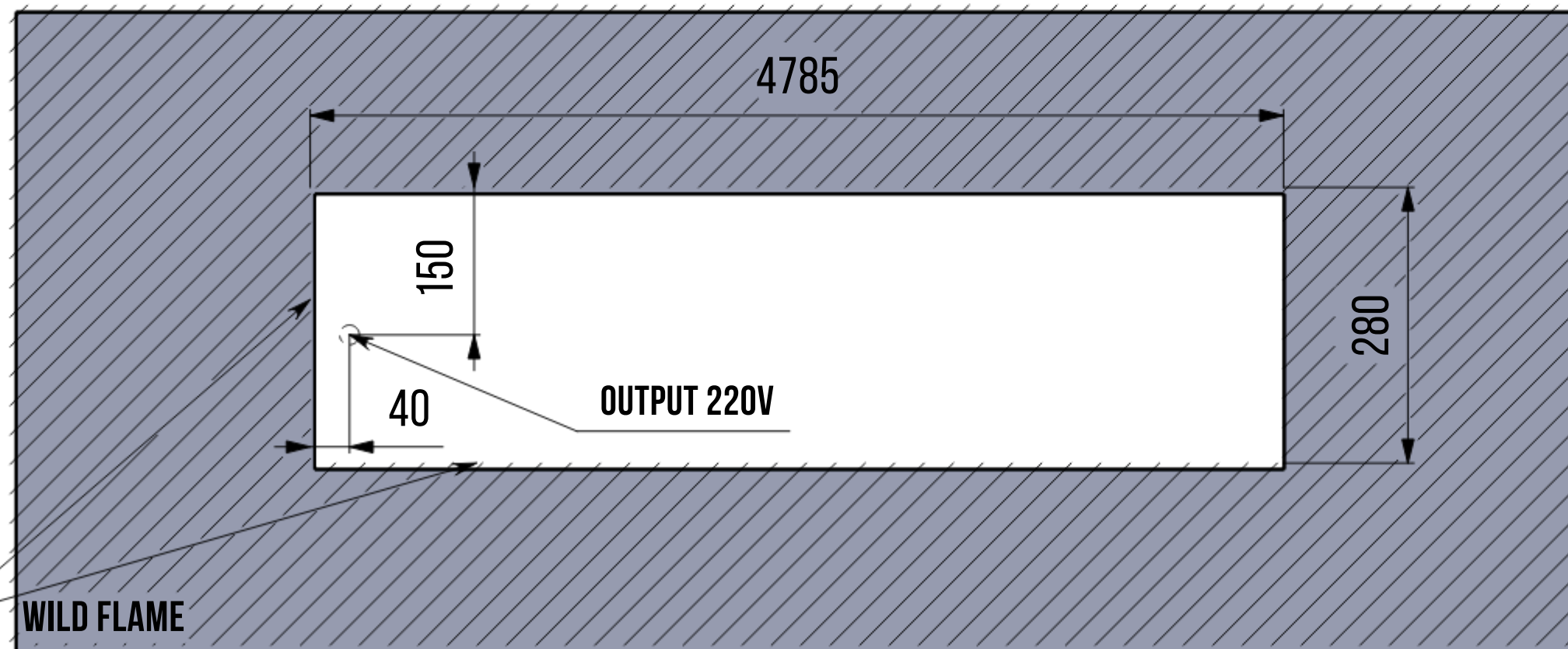
| |
|--------------------------------|
| SCHEME OF SMART FIRE A7 |
| 4800 X 290 X 194 MM |
| WWW.WILDFLAME.NL |

WILD FLAME

DUTCH MANUFACTURER

SCHEME OF NICHE FOR AN AUTOMATIC BIOFIREPLACE SMART FIRE A7 4800 MM (OVERLAP)

FRONT VIEW

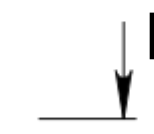


NICHE DIMENSIONS FOR EMBEDDING THE FUEL BLOCK:

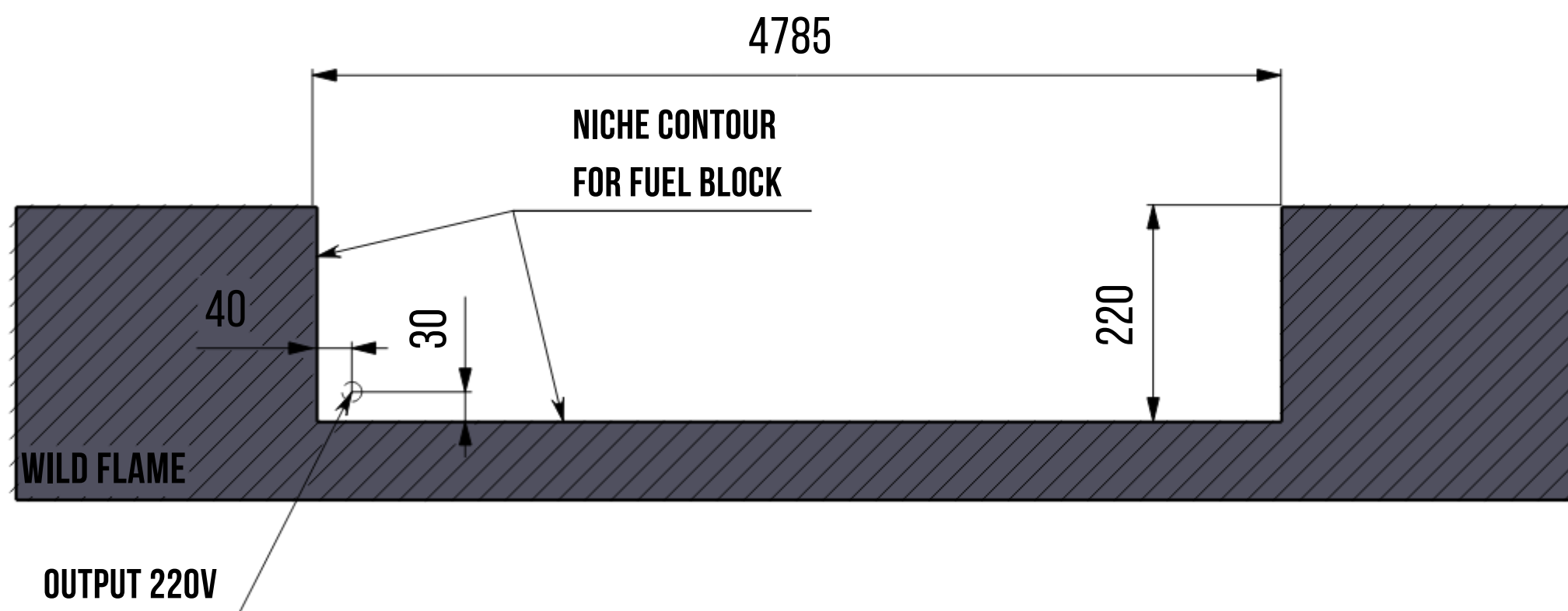
NICHE LENGTH - 4785 MM

NICHE WIDTH - 280 MM

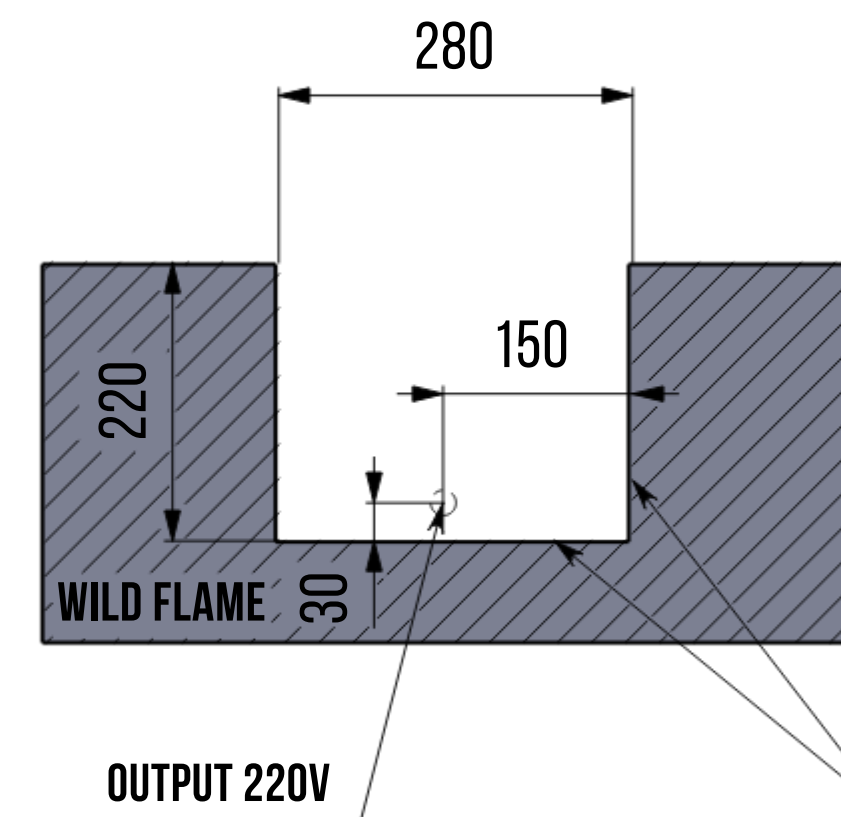
NICHE DEPTH - 220 MM



TOP VIEW



SIDE VIEW

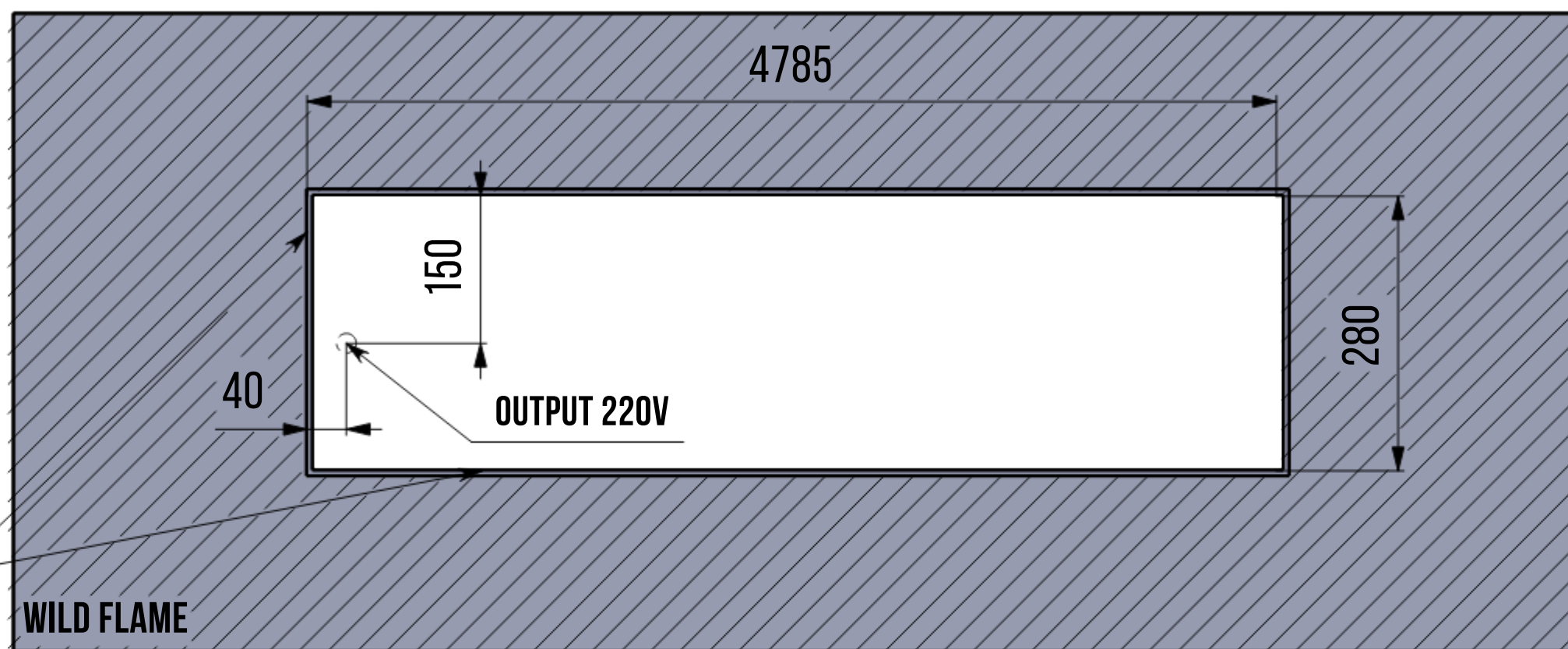
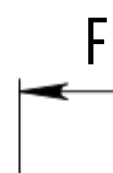


WILD FLAME

DUTCH MANUFACTURER

SCHEME OF NICHE FOR AN AUTOMATIC BIOFIREPLACE SMART FIRE A7 4800 MM (FLUSH - MOUNTED)

FRONT VIEW



NICHE DIMENSIONS FOR EMBEDDING THE BIOFIREPLACE:

NICHE LENGTH - 4785 MM

NICHE WIDTH - 280 MM

NICHE DEPTH - 220 MM

DIMENSIONS OF THE SEAT FOR THE FRONT PANEL OF THE BIOFIREPLACE:

NICHE LENGTH - 4802 MM

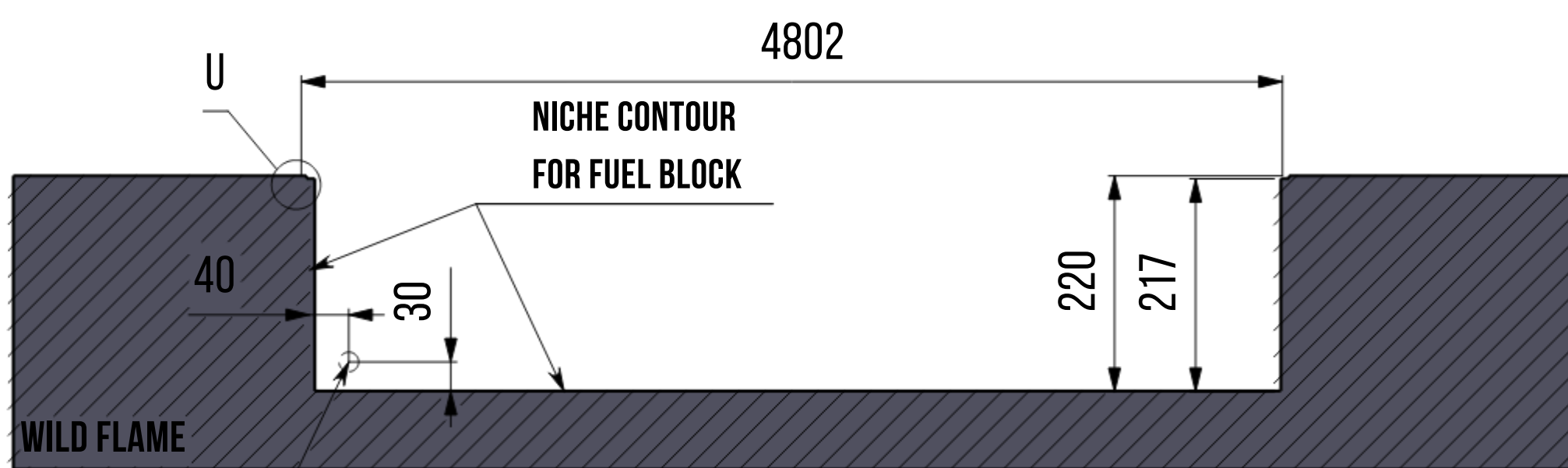
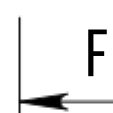
NICHE WIDTH - 292 MM

NICHE DEPTH - 3 MM

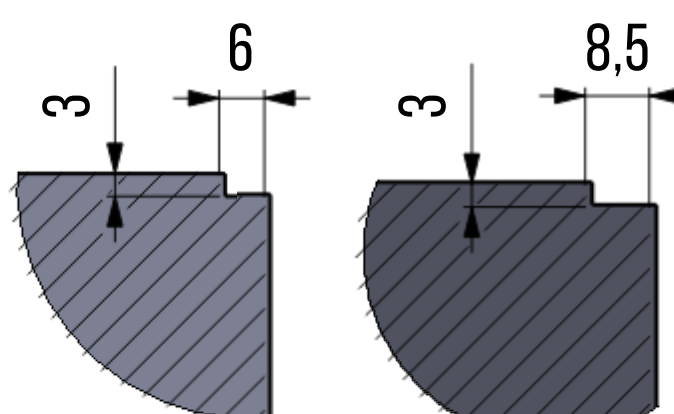
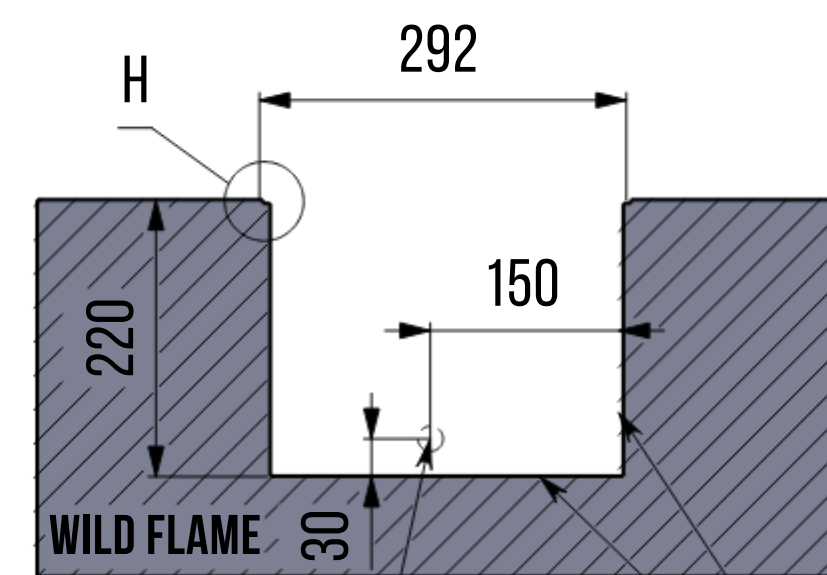


NICHE CONTOUR FOR FUEL BLOCK

TOP VIEW



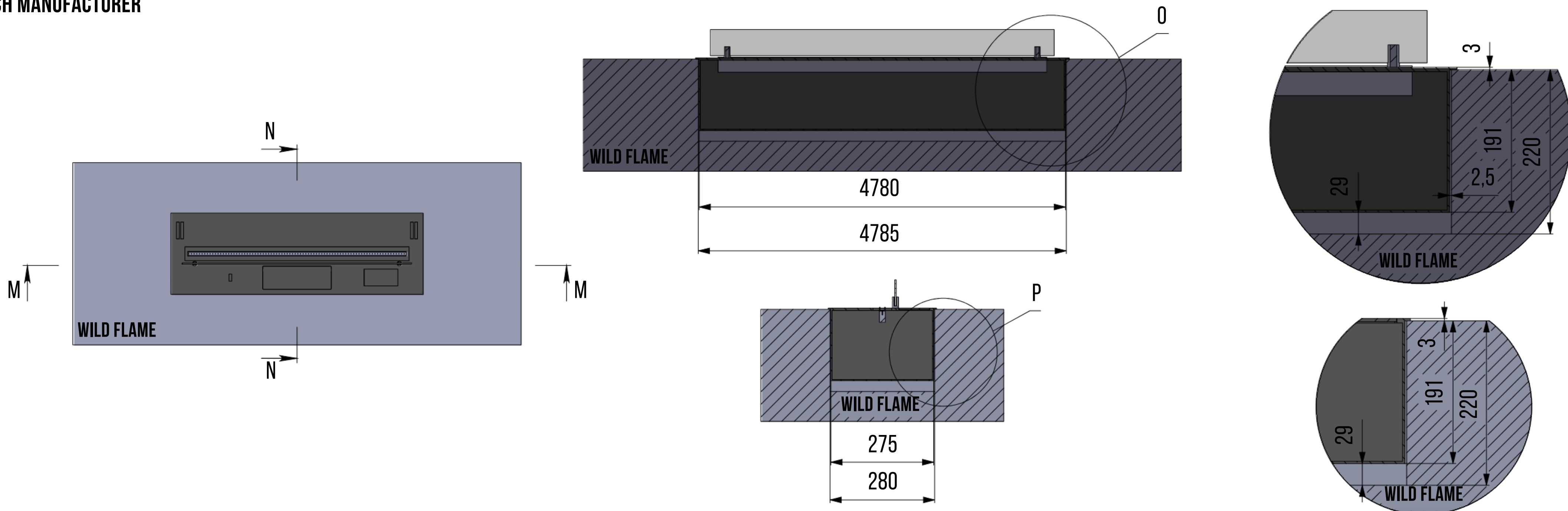
SIDE VIEW



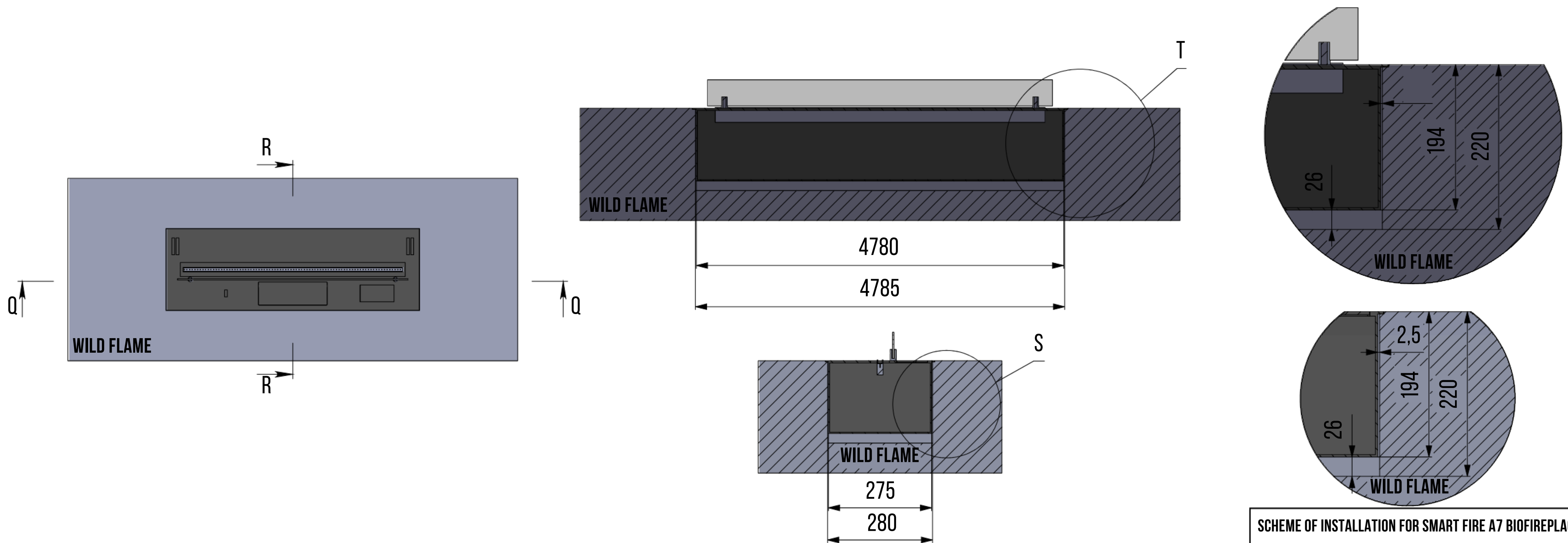
WILD FLAME

DUTCH MANUFACTURER

SCHEME OF INSTALLATION OF AN AUTOMATIC BIOFIREPLACE SMART FIRE A7 4800 MM IN A NICHE (OVERLAP)



SCHEME OF INSTALLATION OF AN AUTOMATIC BIOFIREPLACE SMART FIRE A7 4800 MM IN A NICHE (FLUSH - MOUNTED)



SCHEME OF INSTALLATION FOR SMART FIRE A7 BIOFIREPLACE