

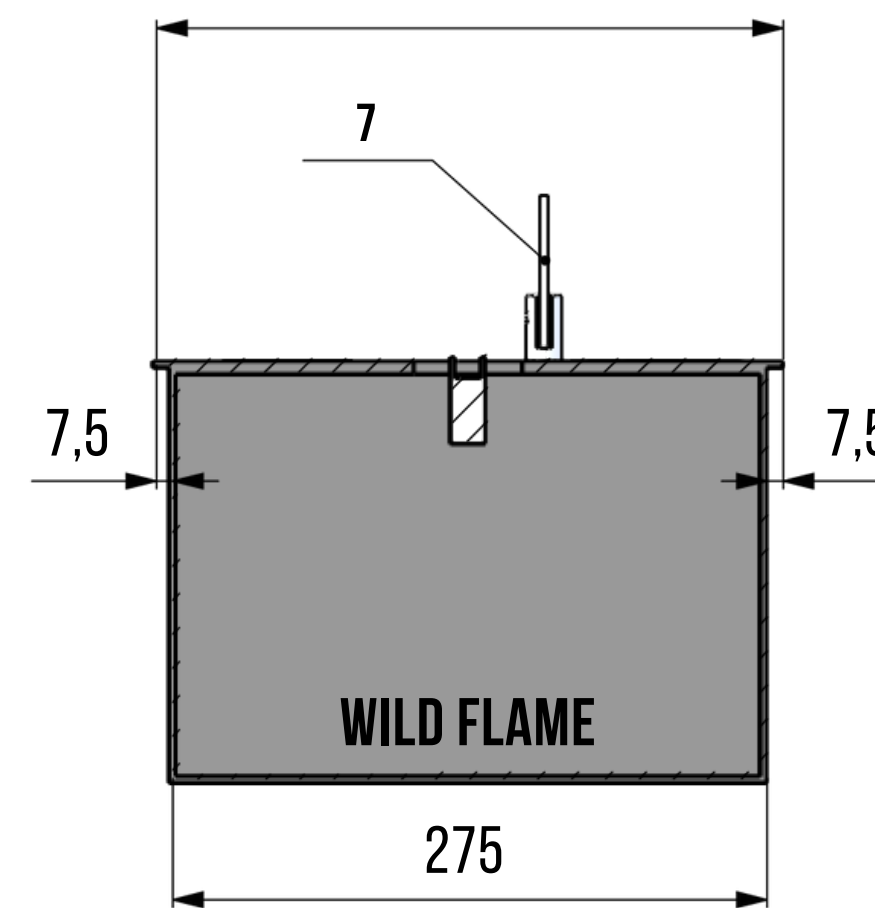
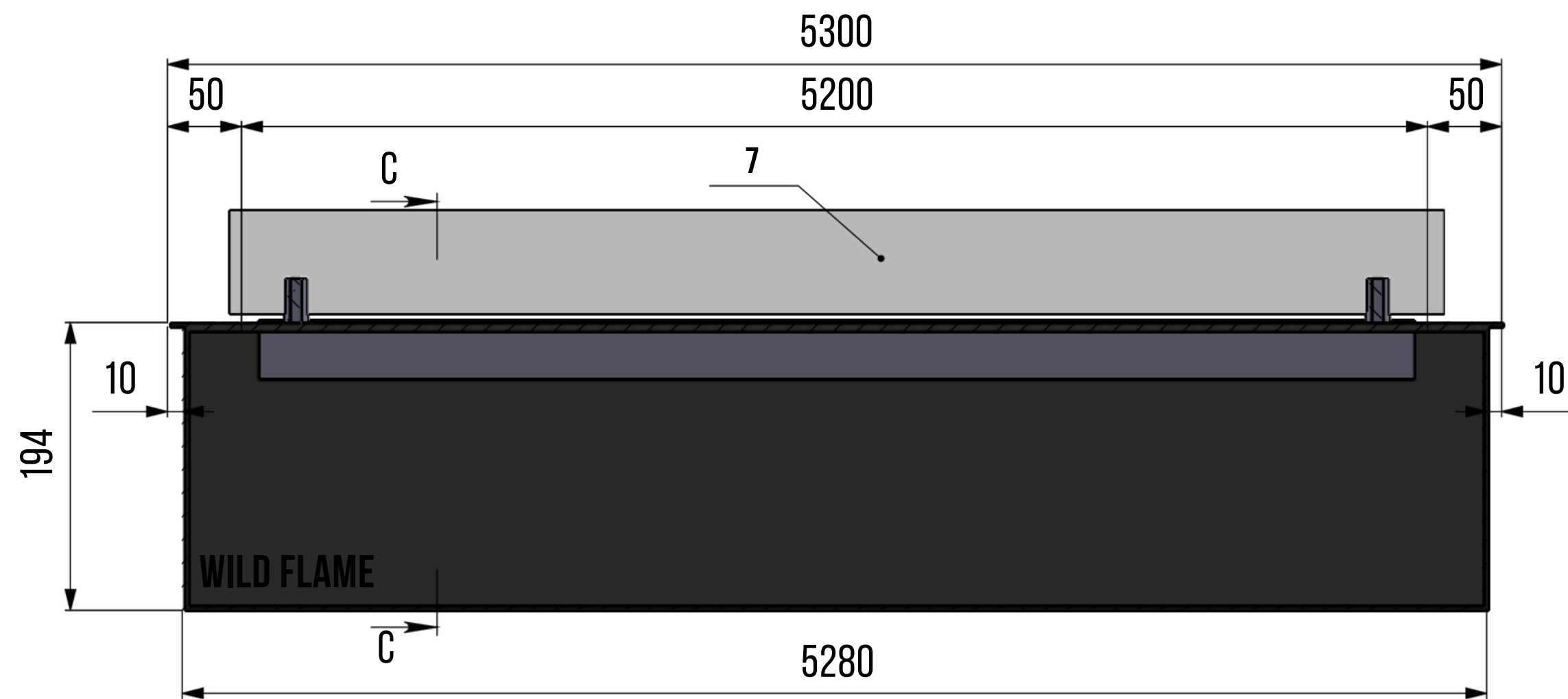
**WILD FLAME**

**DUTCH MANUFACTURER**

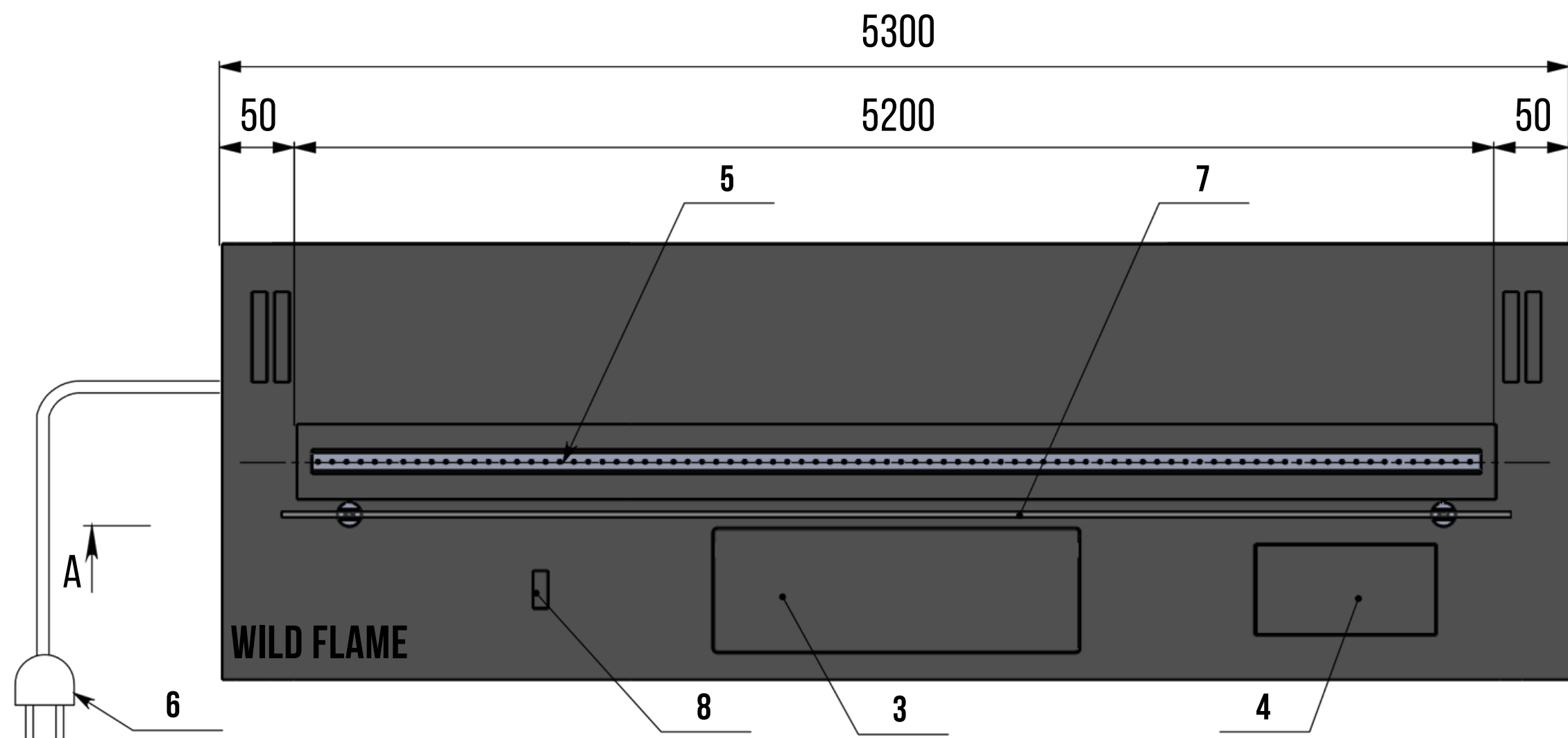
# SCHEME OF AUTOMATIC BIOFIREPLACE SMART FIRE A7 5300 MM

**FRONT VIEW**

**SIDE VIEW**



**TOP VIEW**



NO:	NAMES
1	FRONT PANEL OF AUTOMATIC BIOFIREPLACE
2	DOUBLE - WALL HULL
3	CONTROL PANEL COVER AND REFUELING
4	WIRELESS CHARGING SURFACE
5	FIRE LINE
6	POWER CABLE ( 220V )
7	TEMPERED SAFETY GLASS
8	SENSOR FOR OPENING THE COVER OF THE CONTROL PANEL AND REFUELING

COLOUR: ACCORDING TO RAL SCALE \_\_\_\_\_  
 WEIGHT: 168 KG.

**SCHEME OF SMART FIRE A7**

**5300 X 290 X 194 MM**

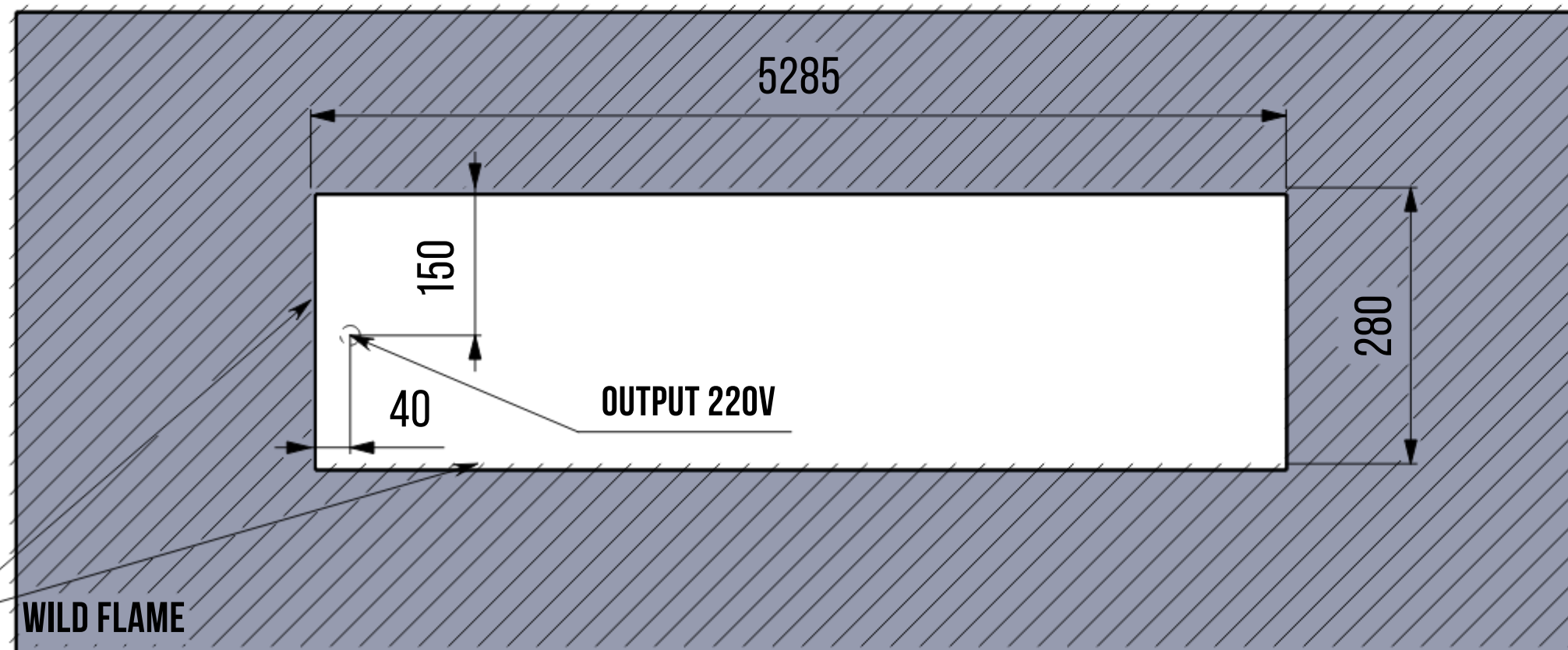
**WWW.WILDFLAME.NL**

**WILD FLAME**

**DUTCH MANUFACTURER**

# SCHEME OF NICHE FOR AN AUTOMATIC BIOFIREPLACE SMART FIRE A7 5300 MM ( OVERLAP )

**FRONT VIEW**



**NICHE CONTOUR  
FOR FUEL BLOCK**

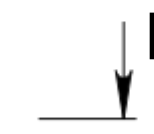
**WILD FLAME**

**NICHE DIMENSIONS FOR EMBEDDING THE FUEL BLOCK:**

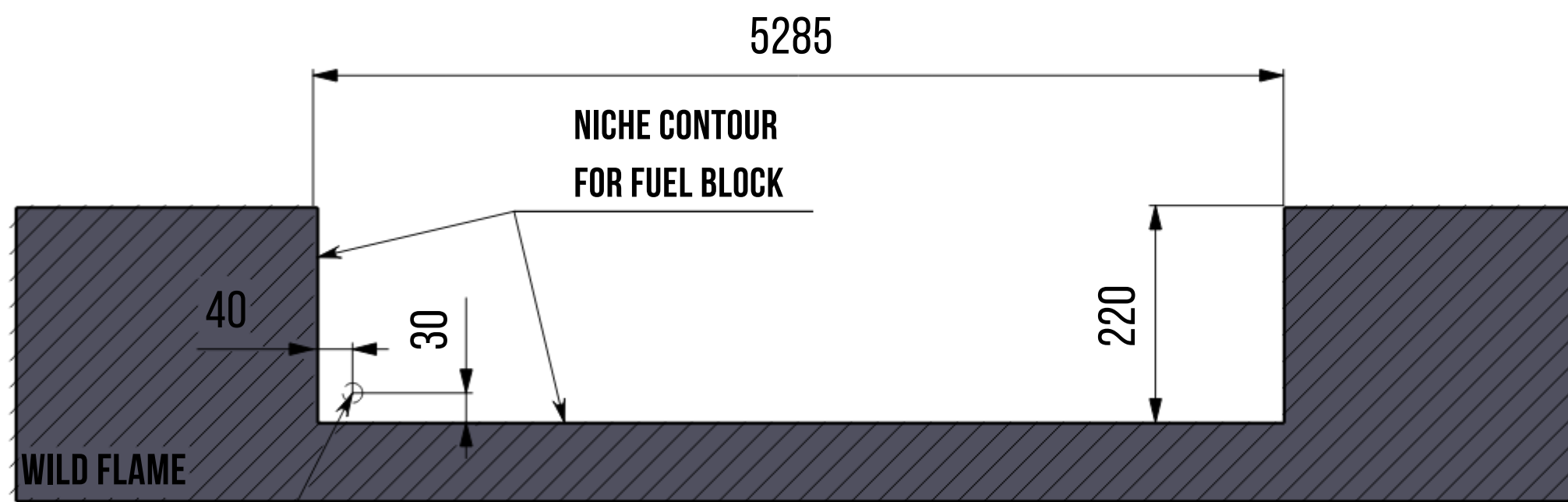
NICHE LENGTH - 5285 MM

NICHE WIDTH - 280 MM

NICHE DEPTH - 220 MM



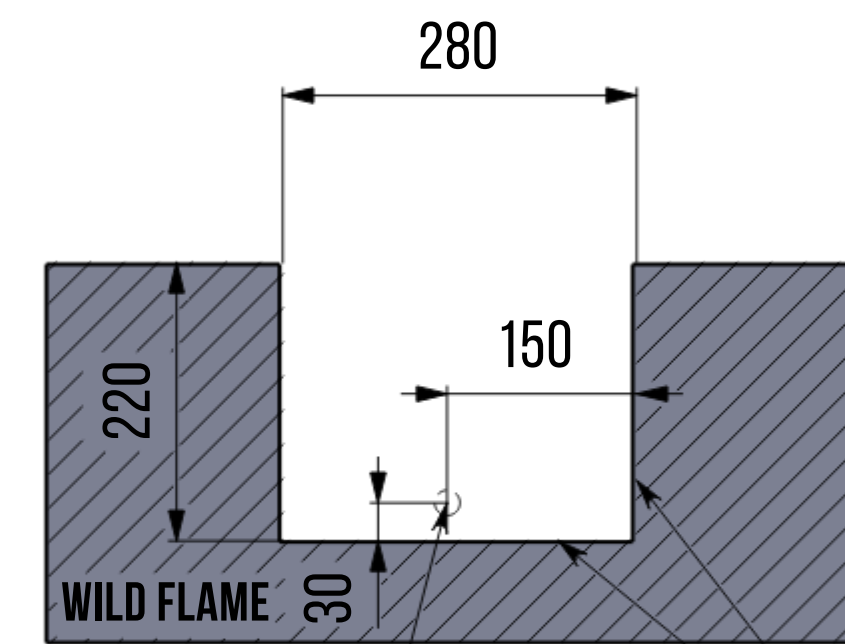
**TOP VIEW**



**WILD FLAME**

**OUTPUT 220V**

**SIDE VIEW**



**WILD FLAME**

**OUTPUT 220V**

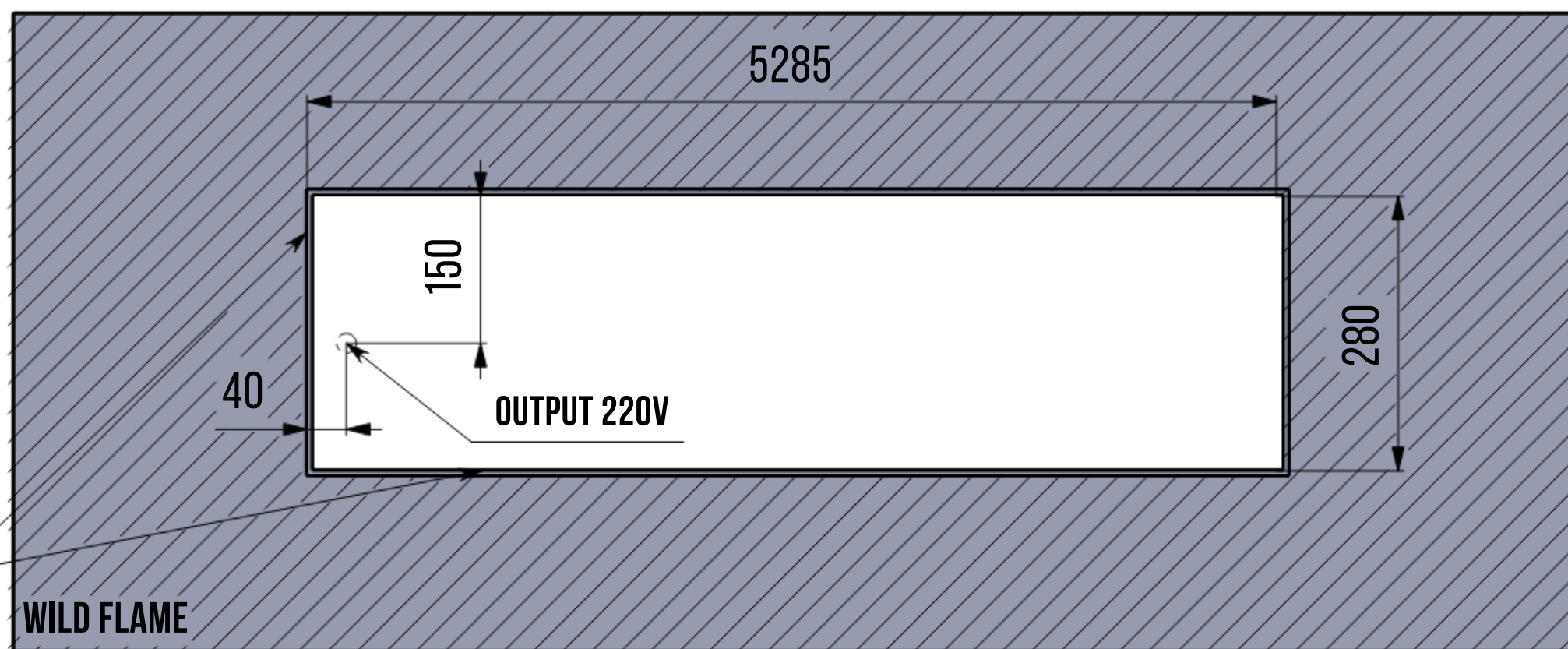
**NICHE CONTOUR  
FOR FUEL BLOCK**

**WILD FLAME**

**DUTCH MANUFACTURER**

# SCHEME OF NICHE FOR AN AUTOMATIC BIOFIREPLACE SMART FIRE A7 5300 MM ( FLUSH - MOUNTED )

**FRONT VIEW**



**NICHE DIMENSIONS FOR EMBEDDING THE BIOFIREPLACE:**

NICHE LENGTH - 5285 MM

NICHE WIDTH - 280 MM

NICHE DEPTH - 220 MM

**DIMENSIONS OF THE SEAT FOR THE FRONT PANEL OF THE BIOFIREPLACE:**

NICHE LENGTH - 5302 MM

NICHE WIDTH - 292 MM

NICHE DEPTH - 3 MM

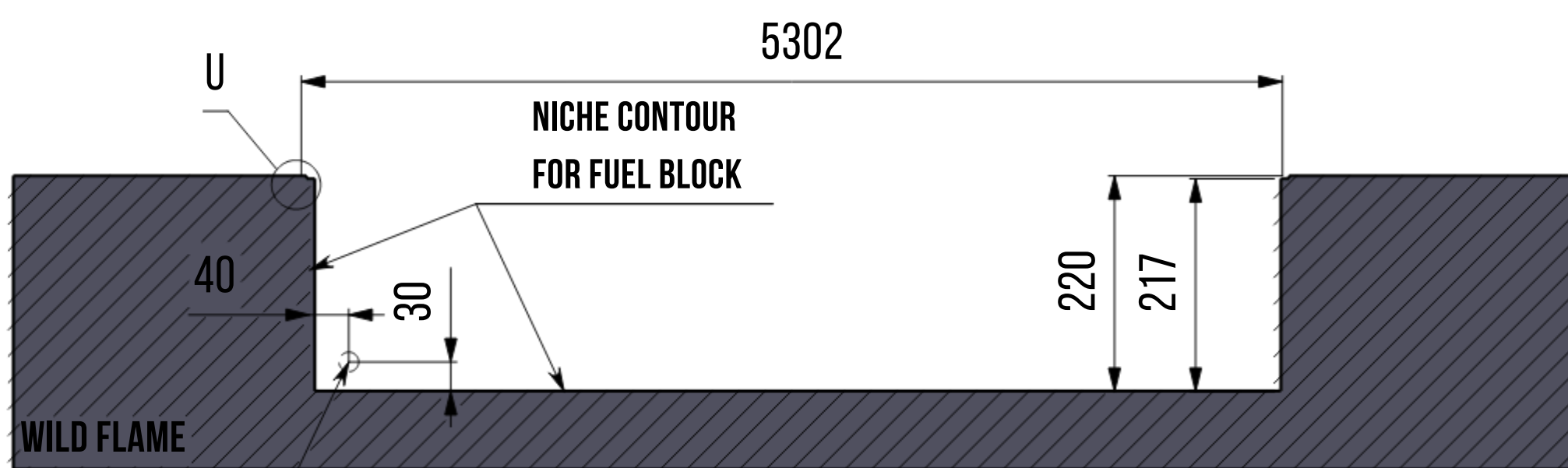
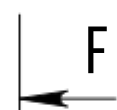


NICHE CONTOUR  
FOR FUEL BLOCK

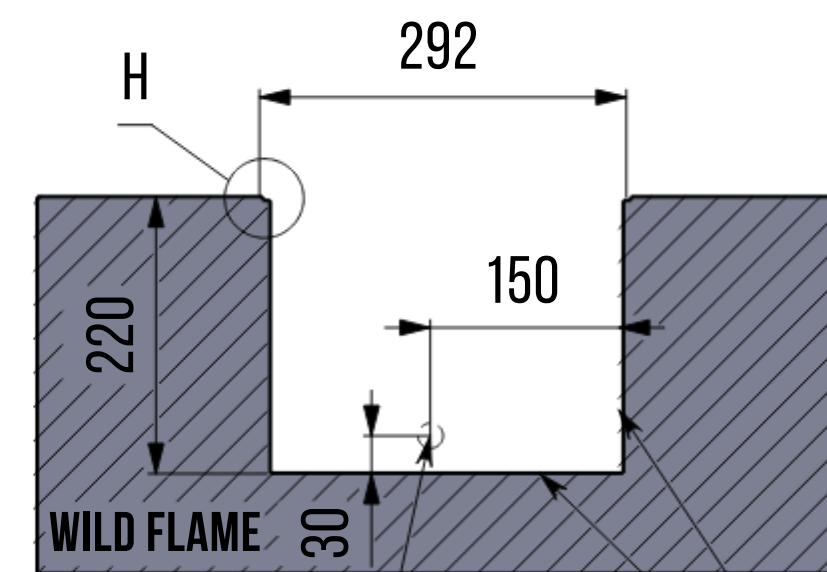
WILD FLAME



**TOP VIEW**



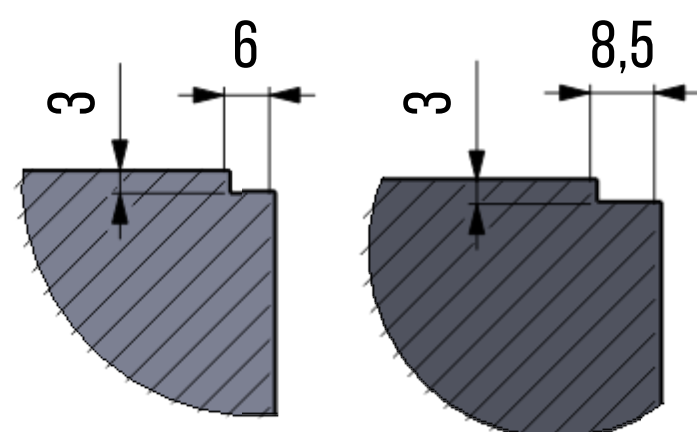
**SIDE VIEW**



OUTPUT 220V

OUTPUT 220V

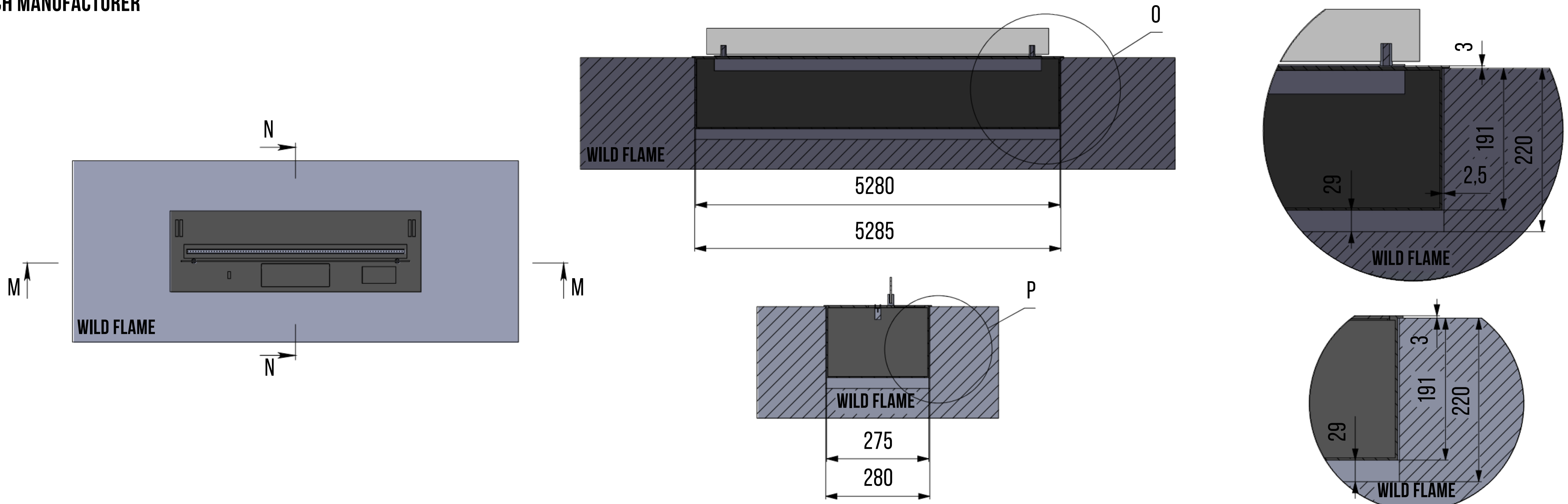
NICHE CONTOUR  
FOR FUEL BLOCK



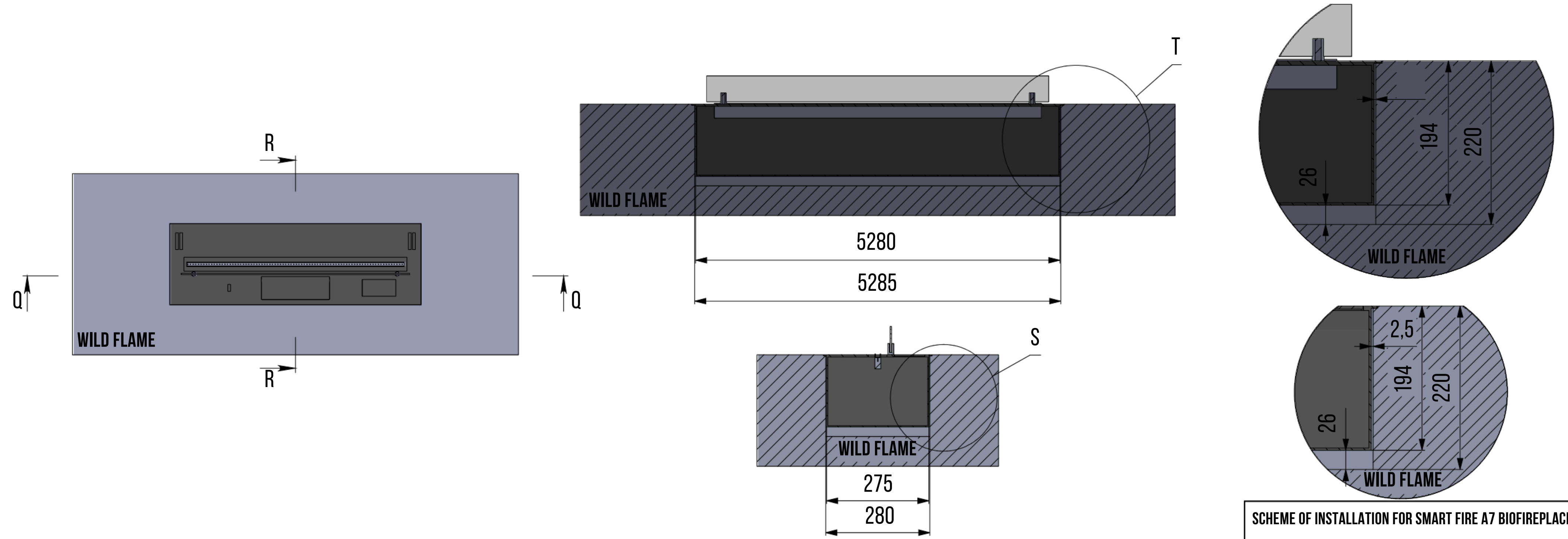
**WILD FLAME**

# SCHEME OF INSTALLATION OF AN AUTOMATIC BIOFIREPLACE SMART FIRE A7 5300 MM IN A NICHE ( OVERLAP )

DUTCH MANUFACTURER



# SCHEME OF INSTALLATION OF AN AUTOMATIC BIOFIREPLACE SMART FIRE A7 5300 MM IN A NICHE ( FLUSH - MOUNTED )



SCHEME OF INSTALLATION FOR SMART FIRE A7 BIOFIREPLACE